



# PARTS CATALOGUE



DPBMC



MLNM4

## MTN250-A ( BDA1 ) MALAYSIA

---

MTN250-A  
PARTS CATALOGUE  
©2020 by Yamaha Motor Co., Ltd.  
1st edition, May 2020  
All rights reserved.  
Any reprinting or unauthorized use  
without the written permission of  
Yamaha Motor Co., Ltd.  
is expressly prohibited.  
Printed in Japan.

# FOREWORD

This Parts Catalogue is related to the parts for the model(s) on the cover page. When you are ordering replacement parts, please refer to this Parts Catalogue and quote both part numbers and part names correctly.

1. Modifications or additions which have been made after the issue of the Parts Catalogue will be announced in the Parts News.  
It is advisable that you make the necessary corrections to the Parts Catalogue according to the Parts News.

2. Abbreviations

The following abbreviations are used in this Parts Catalogue.

“UR” Use specified parts number.

“UN” Use as many as needed.

“AP” Alternate Parts

“LM” Locally Made (Parts need to be ordered locally)

“F#” Frame No. (Applicable machine No.)

“O/S” Over Size

3. The number of components for assembly

- Parts, which are to be supplied in an assembly, are listed with a dot (.) in front of the part name as shown below.
- The numeral appearing to the right of each component part indicates the quantity of parts for each assembly unit.

PART NO.	DESCRIPTION	Q'TY	REMARKS
2F5-83310-60	FRONT FLASHER LIGHT ASSY	2	
115-83311-60	.BULB (6V-18W)	1	

4. Applicable colours of graphics are represented in the “REMARKS” as shown below.

PART NO.	DESCRIPTION	Q'TY	REMARKS
2N4-24110-00-X5	FUEL TANK COMP.	2	MXR
3J1-24240-10	.GRAPHIC, FUEL TANK	1	FOR MXR

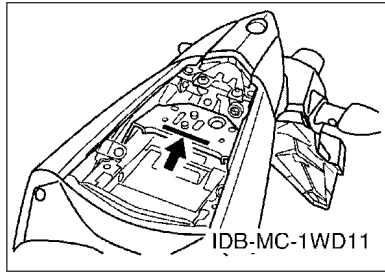
5. Note that the illustrations for reference in finding parts numbers are not to be used for assembling. When assembling, please use the applicable service manual.

6. The asterisk (\*) before a reference number indicates modified items after the first edition.

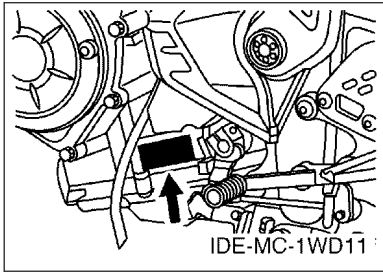
# FOREWORD

7. Applicable Serial No.

Frame Serial No.



Engine Serial No.



8. Applicable Colour Code (The (\*) mark shows Model colour.)

Abbreviation	Colour Name	Colour Code
DPBM15	DEEP PURPLISH BLUE METALLIC 15	1329
DPBMC(*)	DEEP PURPLISH BLUE METALLIC C	0564
MBL2	MAT BLACK 2	0582
MLNM4(*)	MAT LIGHT GRAY METALLIC 4	1700
MNM3	MAT GRAY METALLIC 3	1278
SM12	BLACK METALLIC 12	1723
VYRS6	VIVID YELLOWISH RED SOLID 6	1699

9. Applicable Starting Serial No.

Frame Serial No.

Serial No.	Name Of Q'ty Column	Model Code
	BDA1	BDA1

Engine Serial No.

Serial No.	Name Of Q'ty Column	Model Code
	BDA1	BDA1

# CONTENTS

## ENGINE

CYLINDER HEAD.....	1
CRANKSHAFT & PISTON.....	3
VALVE.....	5
CAMSHAFT & CHAIN.....	7
WATER PUMP.....	8
RADIATOR & HOSE.....	9
OIL PUMP.....	11
INTAKE.....	12
EXHAUST.....	14
CRANKCASE.....	15
CRANKCASE COVER 1.....	16
STARTER CLUTCH.....	17
CLUTCH.....	18
TRANSMISSION.....	19
SHIFT CAM & FORK.....	21
SHIFT SHAFT.....	22

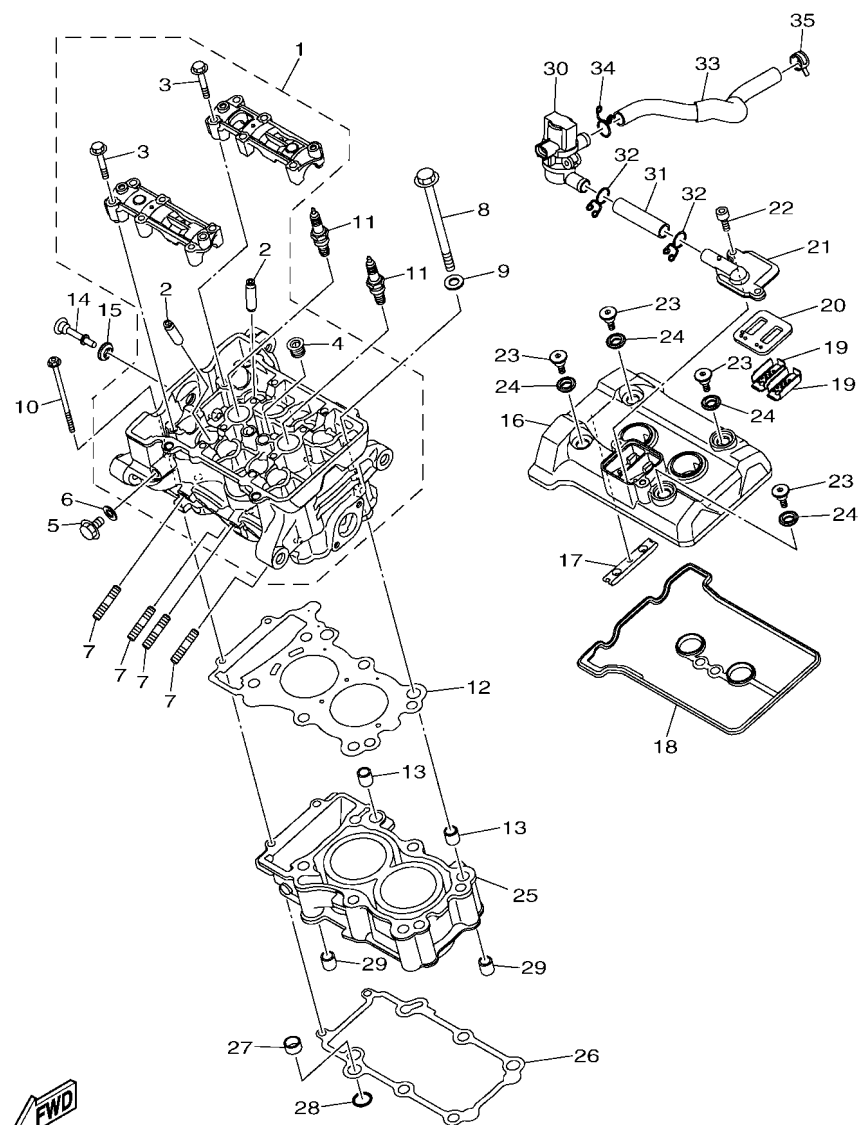
## CHASSIS

FRAME.....	23
FENDER.....	25
SIDE COVER.....	27
REAR ARM & SUSPENSION.....	30
STEERING.....	31
FRONT FORK.....	32
FUEL TANK.....	34
FUEL TANK 2.....	36
SEAT.....	39
FRONT WHEEL.....	40
FRONT BRAKE CALIPER.....	41
REAR WHEEL.....	42
REAR BRAKE CALIPER.....	44
STEERING HANDLE & CABLE.....	45
FRONT MASTER CYLINDER.....	46
STAND & FOOTREST.....	48
REAR MASTER CYLINDER.....	50
GENERATOR.....	52
STARTING MOTOR.....	53
FLASHER LIGHT.....	54
METER.....	55

HEADLIGHT.....	56
TAILLIGHT.....	58
HANDLE SWITCH & LEVER.....	59
ELECTRICAL 1.....	60
ELECTRICAL 2.....	62
ELECTRICAL 3.....	64

## INDEX

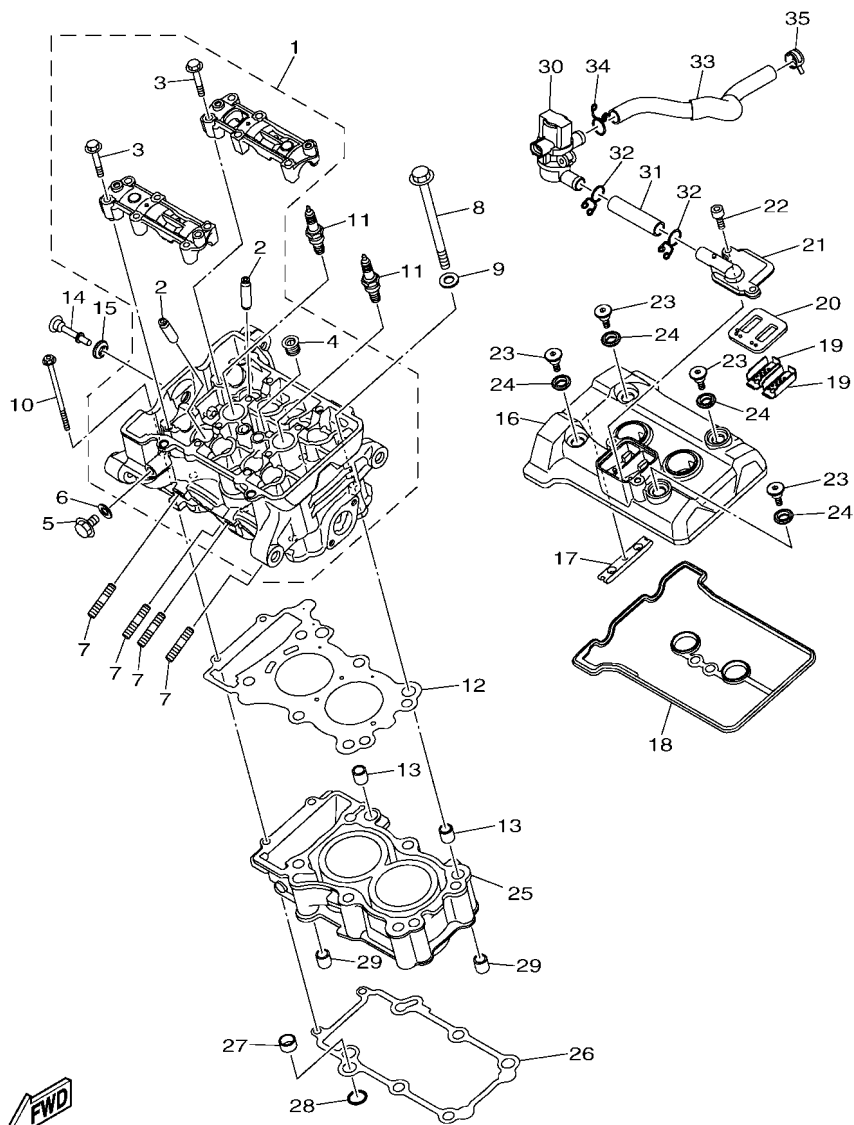
NUMERICAL INDEX.....	65
----------------------	----



B1E1010-T010

FIG. 1 CYLINDER HEAD

REF. NO.	PART NO.	DESCRIPTION	BDA1				REMARKS
1	BS8-E1102-10	CYLINDER HEAD ASSY	1				
2	1WD-E1133-10	.GUIDE, VALVE 1	8				
3	90105-06027	.BOLT, FLANGE	12				
4	90340-18002	.PLUG, STRAIGHT SCREW	1				
5	95022-08012	BOLT, FLANGE	1				
6	90430-08119	GASKET	1				
7	95612-08625	BOLT, STUD	4				
8	1WD-E1361-00	BOLT, CYLINDER HOLDING 1	6				
9	90201-10845	WASHER, PLATE	6				
10	90110-06870	BOLT, HEXAGON SOCKET HEAD	2				
11	94700-00436	PLUG, SPARK (NGK LMAR8A-9)	2				
12	BS8-E1181-00	GASKET, CYLINDER HEAD 1	1				
13	99530-14016	PIN, DOWEL	2				
14	90109-06898	BOLT	1				
15	1WD-E111G-00	RUBBER, MOUNT 1	1				
16	1WD-E1191-00	COVER, CYLINDER HEAD 1	1				MBL2
17	1WD-E2241-00	GUIDE, STOPPER 2	1				
18	1WD-E1193-00	GASKET, HEAD COVER 1	1				
19	5VY-1482K-00	PLATE	2				
20	1WD-E4890-00	REED VALVE ASSY	1				
21	1WD-E4899-00	CAP, CASE	1				
22	91332-06020	BOLT	2				
23	90109-06899	BOLT	4				
24	1WD-E111G-00	RUBBER, MOUNT 1	4				
25	1WD-E1311-10	CYLINDER 1	1				
26	1WD-E1351-00	GASKET, CYLINDER	1				
27	5NL-12564-00	PIPE, WATER	1				

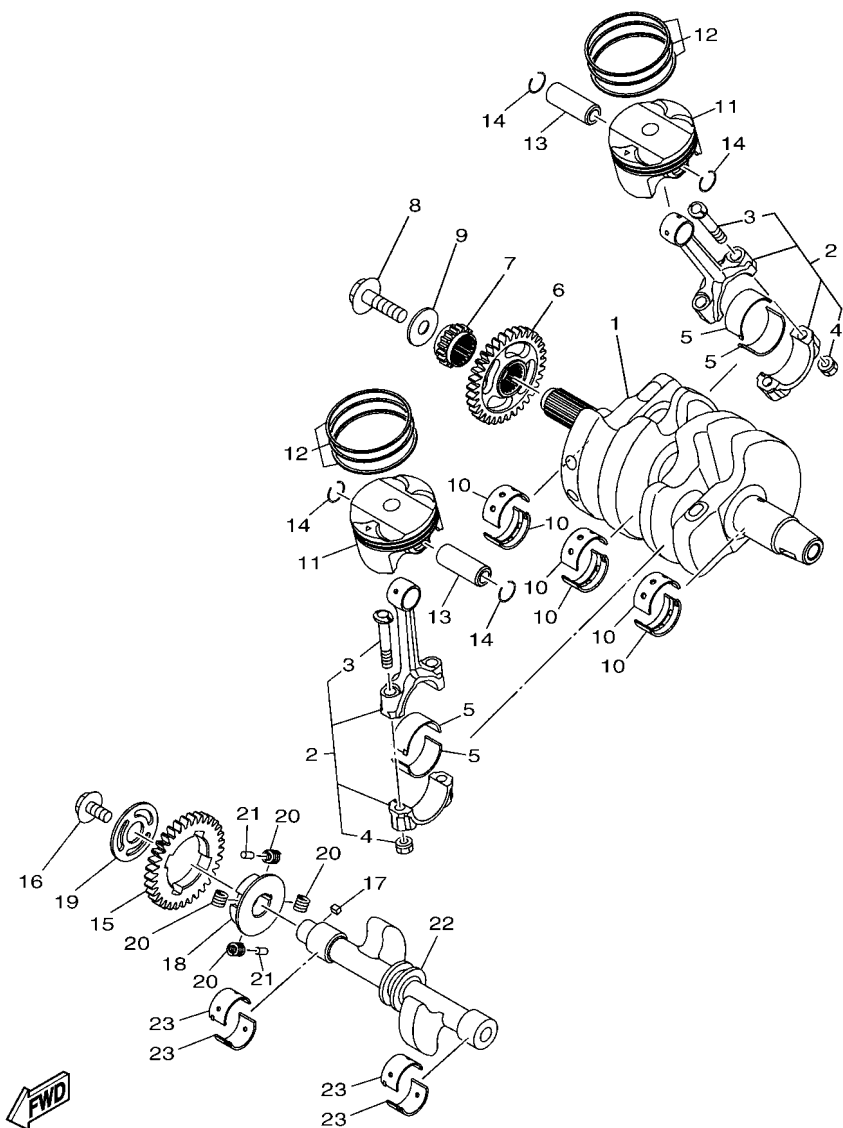


B1E1010-T010

FIG. 1 CYLINDER HEAD

REF. NO.	PART NO.	DESCRIPTION	BDA1			REMARKS
28	93210-16716	O-RING	1			
29	99530-14016	PIN, DOWEL	2			
30	1WD-E4840-00	AIR CUT VALVE ASSY	1			
31	1WD-E4881-00	HOSE, BEND 1	1			
32	90467-16801	CLIP	2			
33	1WD-E4882-01	HOSE, BEND 2	1			
34	90467-16801	CLIP	1			
35	90467-16800	CLIP	1			

**FIG. 2 CRANKSHAFT & PISTON**

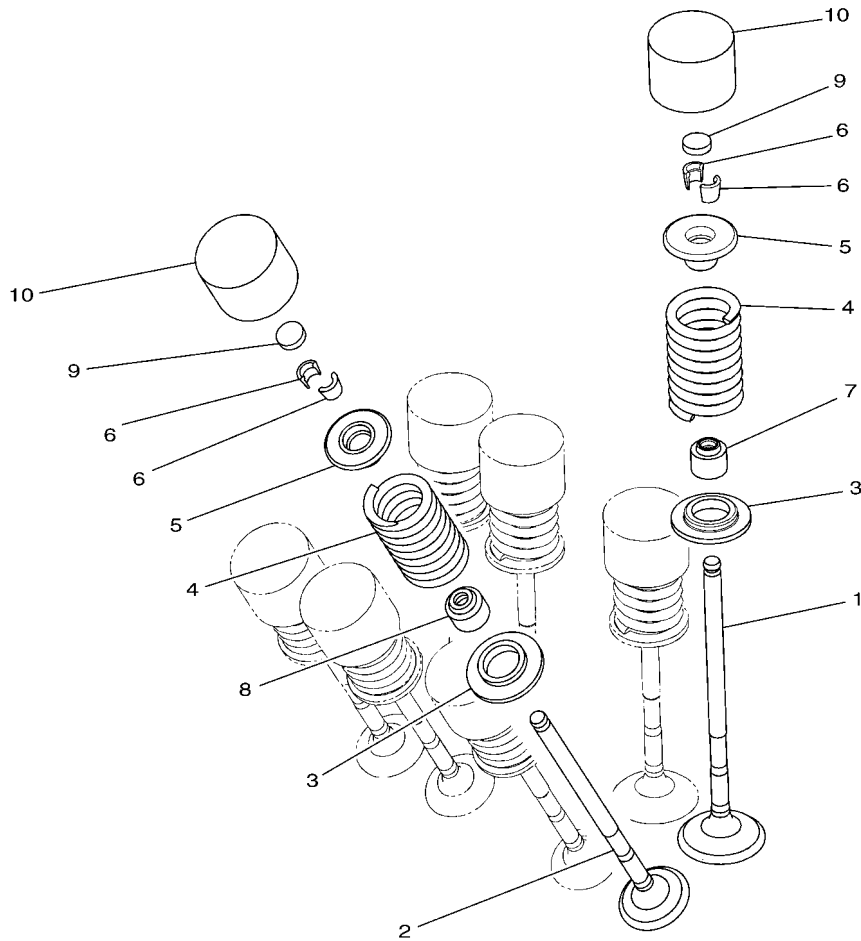


B1E1010-T020

REF. NO.	PART NO.	DESCRIPTION	BDA1			REMARKS
1	1WD-E1411-00	CRANKSHAFT	1			UR Either can use
	1WD-11411-00	CRANKSHAFT	1			UR Either can use
2	1WD-11650-00	CONNECTING ROD ASSY	2			
3	5SL-11654-00	.BOLT, CONNECTING ROD	2			
4	90179-07652	.NUT	2			
5	1WD-11656-00	PLANE BEARING, CONNECTING ROD	4			UR BLUE
	1WD-11656-10	PLANE BEARING, CONNECTING ROD	4			UR BLACK
	1WD-11656-20	PLANE BEARING, CONNECTING ROD	4			UR BROWN
	1WD-11656-30	PLANE BEARING, CONNECTING ROD	4			UR GREEN
6	1WD-E1536-00	GEAR, DRIVE	1			
7	1WD-E1549-00	SPROCKET, CAM CHAIN	1			
8	90105-10883	BOLT, FLANGE	1			
9	90201-10848	WASHER, PLATE	1			
10	1WD-11416-00	PLANE BEARING, CRANKSHAFT 1	6			UR BLUE
	1WD-11416-10	PLANE BEARING, CRANKSHAFT 1	6			UR BLACK
	1WD-11416-20	PLANE BEARING, CRANKSHAFT 1	6			UR BROWN
	1WD-11416-30	PLANE BEARING, CRANKSHAFT 1	6			UR GREEN
	1WD-11416-40	PLANE BEARING, CRANKSHAFT 1	6			UR YELLOW
11	BS8-E1631-00	PISTON (STD)	2			
12	BS8-E1603-00	PISTON RING SET (STD)	2			
13	1WD-E1633-00	PIN, PISTON	2			
14	93450-16068	CIRCLIP	4			
15	1WD-E1531-00	GEAR, BALANCE WEIGHT	1			
16	90105-088F8	BOLT, FLANGE	1			
17	90282-04036	KEY, STRAIGHT	1			
18	1WD-E1496-00	BOSS, BUFFER	1			
19	90201-16812	WASHER, PLATE	1			





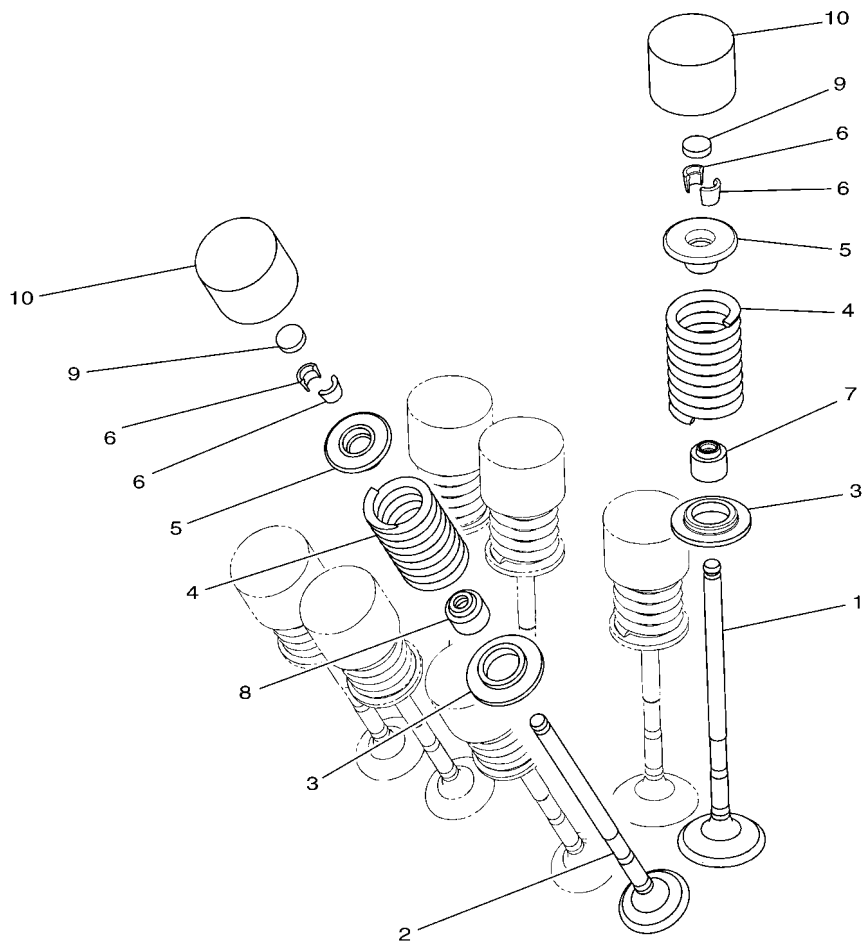


**FIG. 3 VALVE**

REF. NO.	PART NO.	DESCRIPTION	BDA1				REMARKS
1	1WD-E2111-00	VALVE, INTAKE	4				
2	1WD-E2121-00	VALVE, EXHAUST	4				
3	1WD-E2126-00	SEAT, VALVE SPRING 2	8				
4	1WD-12113-00	SPRING, VALVE INNER	8				
5	1WD-E2117-00	RETAINER, VALVE SPRING	8				
6	3S0-E2118-00	LOCK, VALVE SPRING RETAINER	16				
7	BS8-E2119-00	SEAL, VALVE STEM	4				
8	1PA-E2119-00	SEAL, VALVE STEM	4				
9	1HX-12168-F0	PAD, ADJUSTING 2 (1.50)	8				UR
	1HX-12168-H1	PAD, ADJUSTING 2 (1.55)	8				UR
	1HX-12168-K1	PAD, ADJUSTING 2 (1.60)	8				UR
	1HX-12168-M1	PAD, ADJUSTING 2 (1.65)	8				UR
	1HX-12168-R1	PAD, ADJUSTING 2 (1.70)	8				UR
	1HX-12168-U1	PAD, ADJUSTING 2 (1.75)	8				UR
	1HX-12168-W1	PAD, ADJUSTING 2 (1.80)	8				UR
	1HX-12168-Y1	PAD, ADJUSTING 2 (1.85)	8				UR
	1HX-12169-11	PAD, ADJUSTING 2 (1.90)	8				UR
	1HX-12169-31	PAD, ADJUSTING 2 (1.95)	8				UR
	1HX-12169-50	PAD, ADJUSTING 2 (2.00)	8				UR
	1HX-12169-70	PAD, ADJUSTING 2 (2.05)	8				UR
	1HX-12169-90	PAD, ADJUSTING 2 (2.10)	8				UR
	1HX-12169-E0	PAD, ADJUSTING 2 (2.15)	8				UR
	1HX-12169-G0	PAD, ADJUSTING 2 (2.20)	8				UR
	1HX-12169-J0	PAD, ADJUSTING 2 (2.25)	8				UR
	1HX-12169-L0	PAD, ADJUSTING 2 (2.30)	8				UR
	1HX-12169-N0	PAD, ADJUSTING 2 (2.35)	8				UR
	1HX-12169-T0	PAD, ADJUSTING 2 (2.40)	8				UR



B1E1010-T030

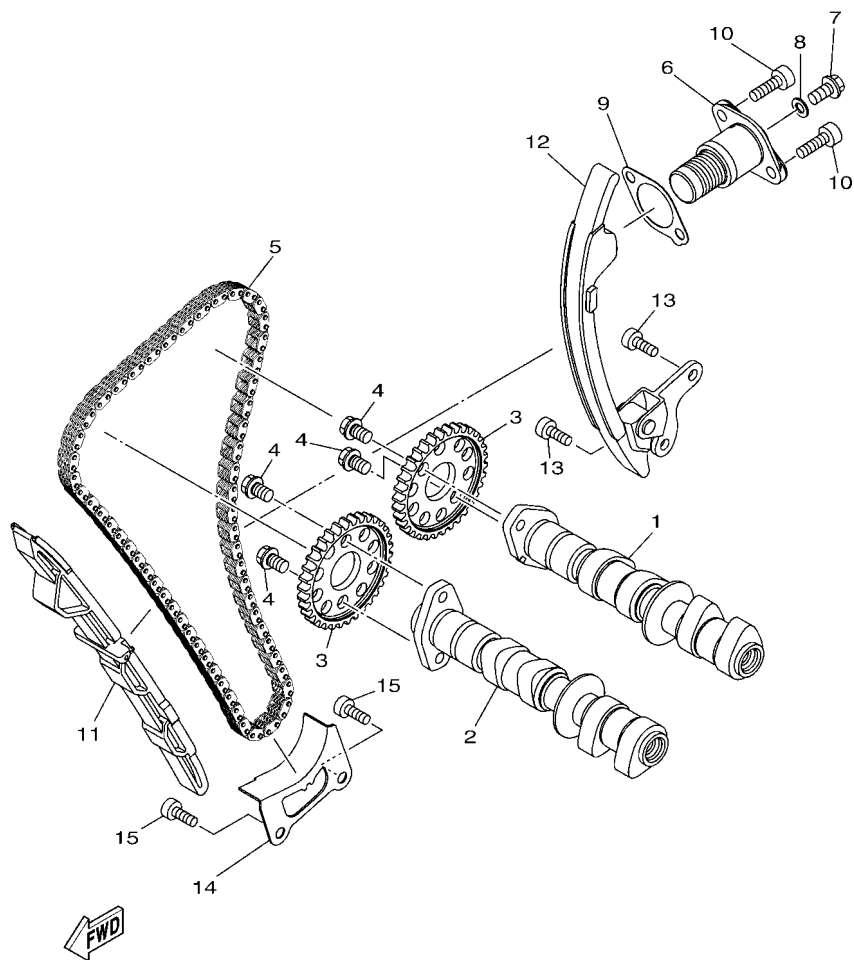


  
 B1E1010-T030

**FIG. 3 VALVE**

REF. NO.	PART NO.	DESCRIPTION	BDA1	REMARKS
10	1WD-E2153-11	LIFTER, VALVE	8	

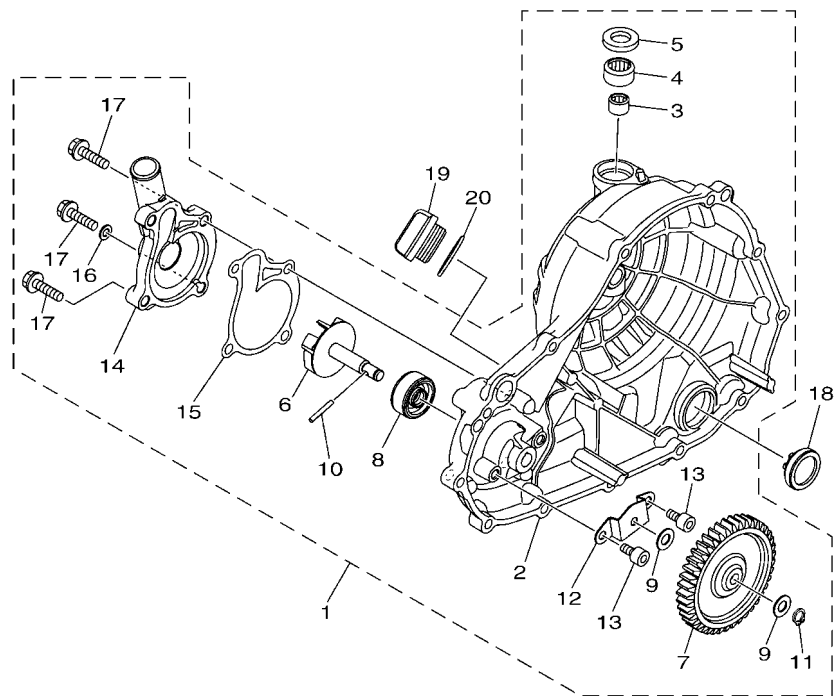
**FIG. 4 CAMSHAFT & CHAIN**



1WD1460-P040

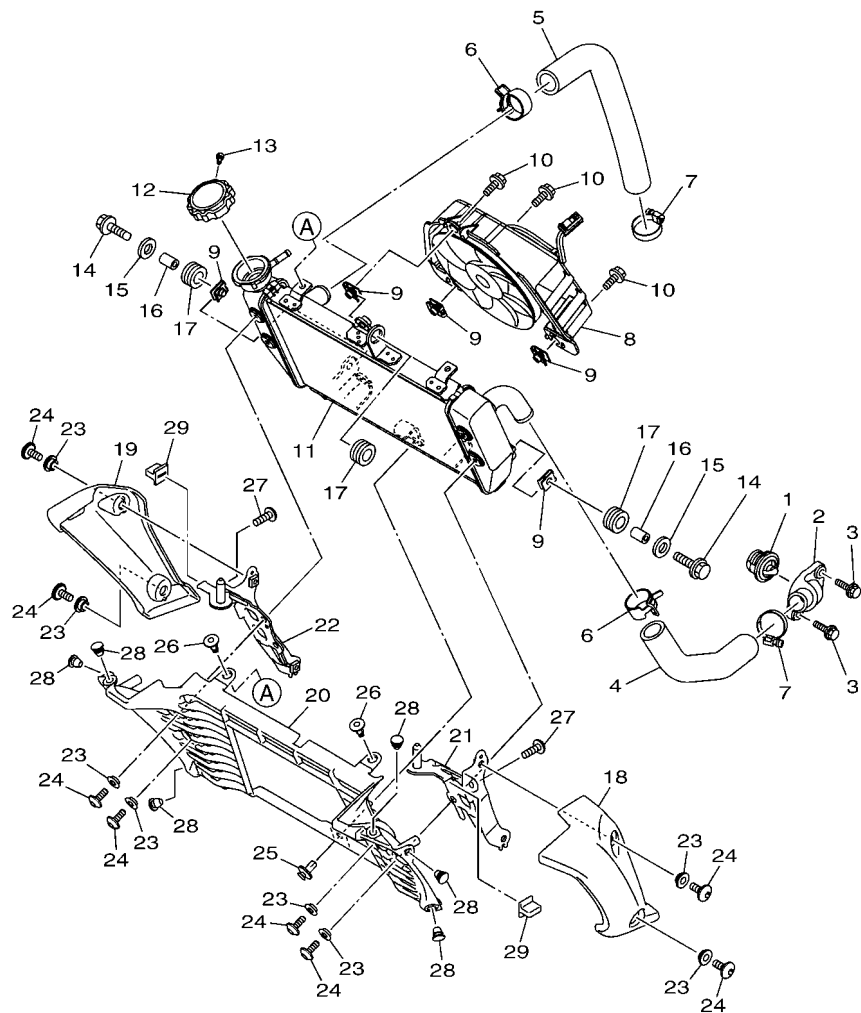
REF. NO.	PART NO.	DESCRIPTION	BDA1				REMARKS
1	BS8-E2170-00	CAMSHAFT ASSY 1	1				
2	BS8-E2180-00	CAMSHAFT ASSY 2	1				
3	1WD-E2176-00	SPROCKET, CAM CHAIN	2				
4	90105-07800	BOLT, FLANGE	4				
5	94568-K0118	CHAIN (98XRH2015-118P-M)	1				
6	1WD-12210-01	TENSIONER ASSY, CAM CHAIN	1				
7	95022-06008	BOLT, FLANGE	1				
8	90430-06014	GASKET	1				
9	1WD-E2213-00	GASKET, TENSIONER CASE	1				
10	91332-06020	BOLT	2				
11	1WD-E2251-00	DAMPER, CHAIN 1	1				
12	1WD-E2252-00	DAMPER, CHAIN 2	1				
13	90110-06161	BOLT, HEXAGON SOCKET HEAD	2				
14	1WD-E2256-00	COVER, CHAIN	1				
15	90110-06161	BOLT, HEXAGON SOCKET HEAD	2				

**FIG. 5 WATER PUMP**



REF. NO.	PART NO.	DESCRIPTION	BDA1				REMARKS
1	1WD-E2420-00	WATER PUMP ASSY	1				
2	1WD-E5421-00	.COVER, CRANKCASE 2	1				MBL2
3	93317-11096	.BEARING	1				
4	93315-21570	.BEARING	1				
5	93102-15801	.OIL SEAL	1				
6	1WD-E2450-00	.IMPELLER SHAFT ASSY	1				
7	1WD-E2453-00	.GEAR	1				
8	33S-E2223-00	.SEAL	1				
9	33S-E2456-00	.WASHER	2				
10	1WD-E319L-00	.PIN, STRAIGHT	1				
11	99009-08400	.CIRCLIP	1				
12	1WD-E2681-00	.PLATE	1				
13	91312-06010	.BOLT, HEXAGON SOCKET HEAD	2				
14	1WD-E2422-00	.COVER, HOUSING	1				
15	1WD-E2428-00	.GASKET, HOUSING COVER 2	1				
16	90430-06014	.GASKET	1				
17	95022-06025	.BOLT, FLANGE	3				
18	2H7-15361-00	GAUGE, LEVEL	1				
19	1WD-E5362-00	PLUG, OIL LEVEL	1				
20	93210-27807	O-RING	1				

**FIG. 6 RADIATOR & HOSE**

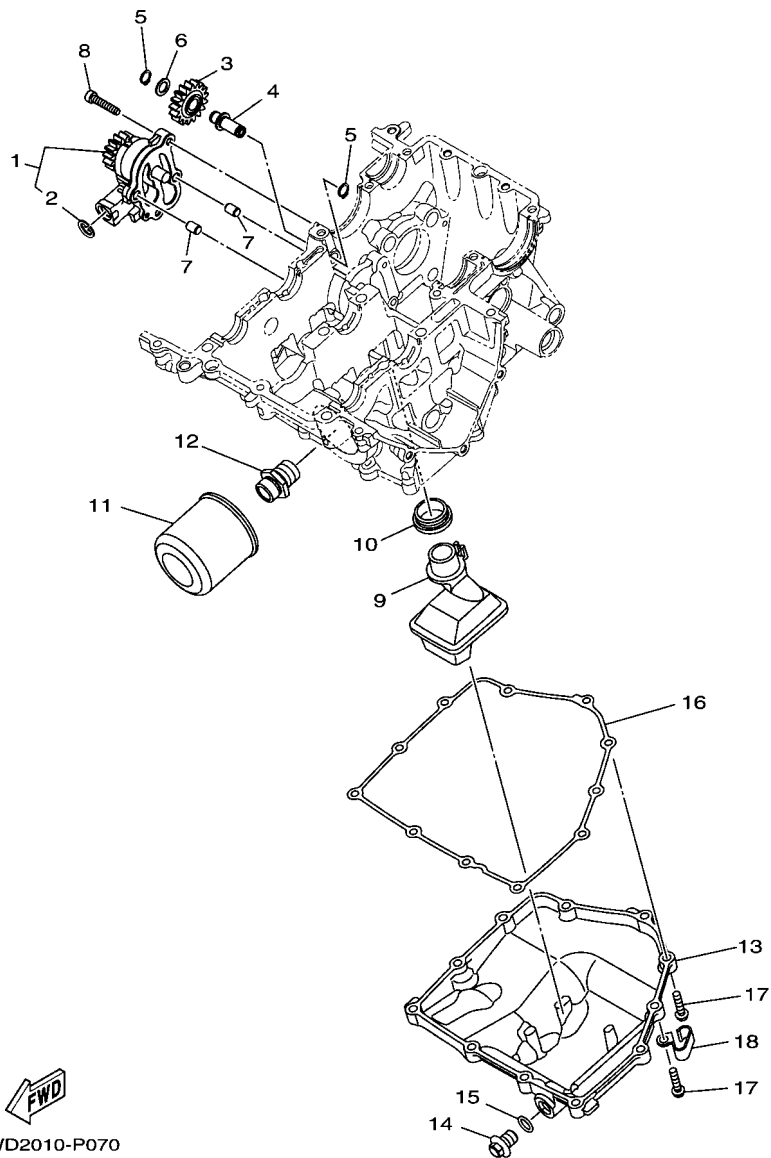


  
B9T1460-V060

REF. NO.	PART NO.	DESCRIPTION	BDA1				REMARKS
1	5P0-12411-00	THERMOSTAT	1				
2	1WD-E2413-00	COVER, THERMOSTAT	1				
3	95022-06020	BOLT, FLANGE	2				
4	1WD-E2577-00	HOSE 2	1				
5	1WD-E2578-00	HOSE 3	1				
6	90467-250A1	CLIP	2				
7	90450-28001	HOSE CLAMP ASSY	2				
8	1WD-E2405-00	BLOWER ASSY	1				
9	1WD-E2671-00	NUT 1	5				
10	5YP-E2675-00	BOLT, BLOWER HOLDING	3				
11	B04-E2461-00	RADIATOR COMP	1				
12	B04-E2462-10	CAP, RADIATOR	1				
13	97707-30505	SCREW, TAPPING	1				
14	95827-06025	BOLT, FLANGE	2				
15	90201-06072	WASHER, PLATE	2				
16	90387-064W3	COLLAR	2				
17	90480-15808	GROMMET	3				
18	B9T-F137U-00	GUIDE, AIR 1	1				
19	B9T-F137V-00	GUIDE, AIR 2	1				
20	B9T-F1557-00	DUCT, AIR	1				
21	B9T-F175T-00	BRACKET 1	1				
22	B9T-F175U-00	BRACKET 2	1				
23	90387-06130	COLLAR	8				
24	90111-06151	BOLT, HEX. SOCKET BUTTON	8				
25	90269-07012	RIVET	1				
26	90269-06816	RIVET	2				
27	90160-05012	SCREW, ROUND TAPPING	2				



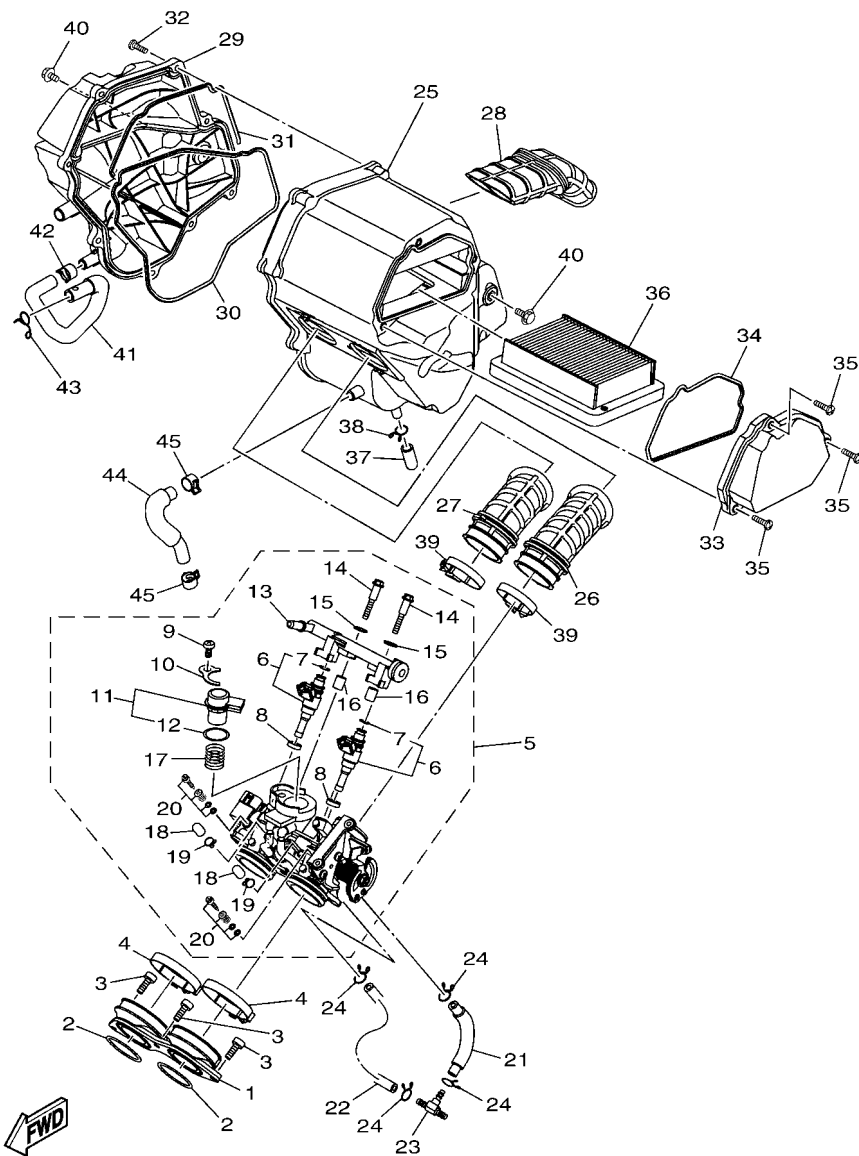
**FIG. 7 OIL PUMP**



1WD2010-P070

REF. NO.	PART NO.	DESCRIPTION	BDA1				REMARKS
1	1WD-E3300-01	OIL PUMP ASSY	1				
2	99009-15500	.CIRCLIP	1				
3	1WD-E3341-00	GEAR, OIL PUMP IDLE	1				
4	1WD-E3342-00	SHAFT, IDLE GEAR	1				
5	99009-10400	CIRCLIP	2				
6	90201-10119	WASHER, PLATE	1				
7	99530-08012	PIN, DOWEL	2				
8	91332-06030	BOLT	4				
9	1WD-E3410-00	STRAINER HOUSING ASSY	1				
10	1WD-E3415-00	SEAL, OIL STRAINER	1				
11	1WD-E3440-10	ELEMENT ASSY, OIL CLEANER	1				
12	90401-20011	BOLT, UNION	1				
13	1WD-E3417-00	COVER, STRAINER	1				
14	90340-12808	PLUG, STRAIGHT SCREW	1				
15	4YS-E1198-00	GASKET	1				
16	1WD-E3414-00	GASKET, STRAINER COVER	1				
17	95022-06025	BOLT, FLANGE	11				
18	90462-08810	CLAMP	1				

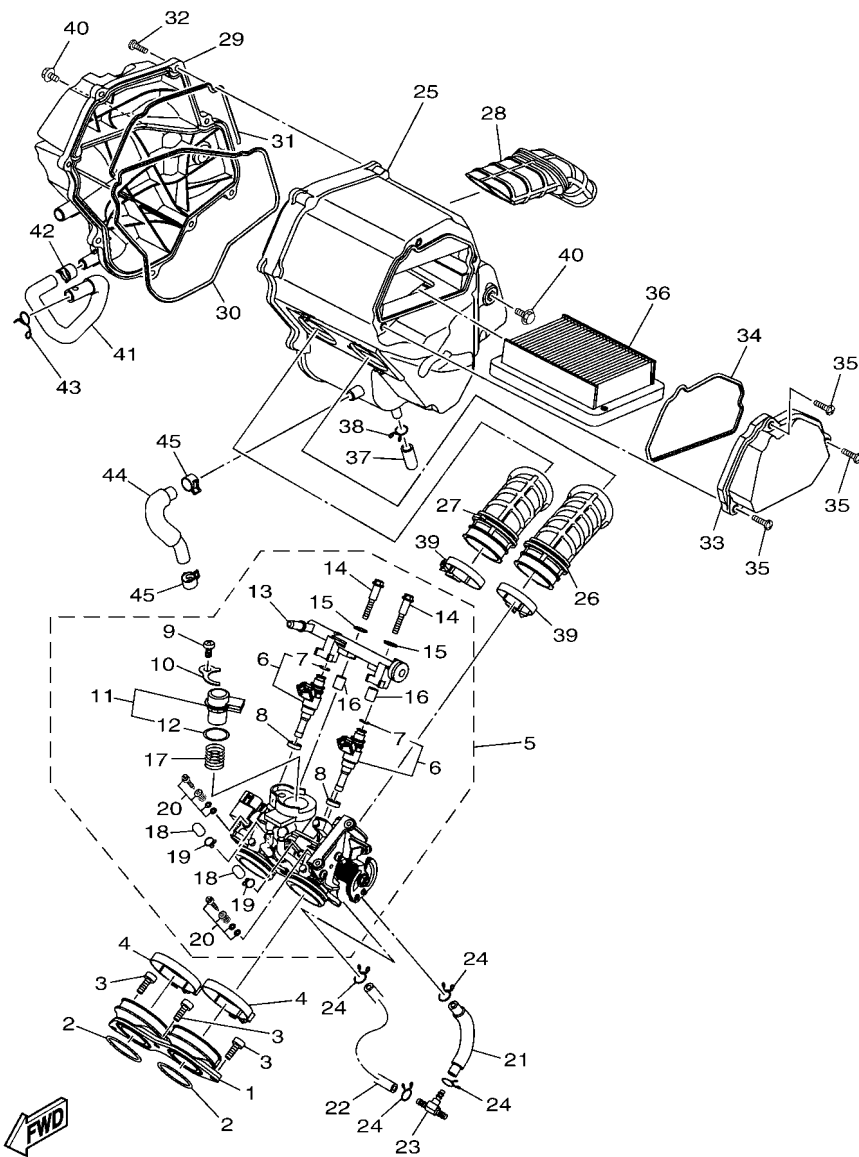




B9AA700-U080

FIG. 8 INTAKE

REF. NO.	PART NO.	DESCRIPTION	BDA1				REMARKS
1	1WD-E3586-00	JOINT, CARBURETOR 1	1				
2	93210-39802	O-RING	2				
3	91332-06016	BOLT	3				
4	90450-55804	HOSE CLAMP ASSY	2				
5	BS8-E3750-02	THROTTLE BODY ASSY	1				
6	1WD-E3761-00	.INJECTOR	2				
7	5PS-14147-00	.O-RING	1				
8	1WD-E3556-00	.GASKET, MANIFOLD	2				
9	98502-06012	.SCREW, PAN HEAD	1				
10	1WD-E4243-00	.PLATE	1				
11	1WS-85801-00	.STEPPING MOTOR	1				
12	54P-E416A-00	.O-RING	1				
13	1WD-E3938-00	.PIPE	1				
14	1WD-E3573-00	.BOLT 1	2				
15	8GL-13571-00	.WASHER	2				
16	8HG-14534-00	.COLLAR	2				
17	1WS-14335-00	.SPRING, PLUNGER	1				
18	895-14169-00	.CAP	2				
19	8A7-14139-00	.CLIP, PIPE	2				
20	5JW-14104-00	.AIR SCREW SET	2				
21	2MS-E4465-00	PIPE	1				
22	2MS-E4466-00	PIPE	1				
23	90413-06031	WAY 3	1				
24	90467-090A2	CLIP	4				
25	BR5-E4411-00	CASE, AIR CLEANER 1	1				
26	1WD-E4469-00	FUNNEL, AIR	1				
27	1WD-E446C-00	FUNNEL 2	1				

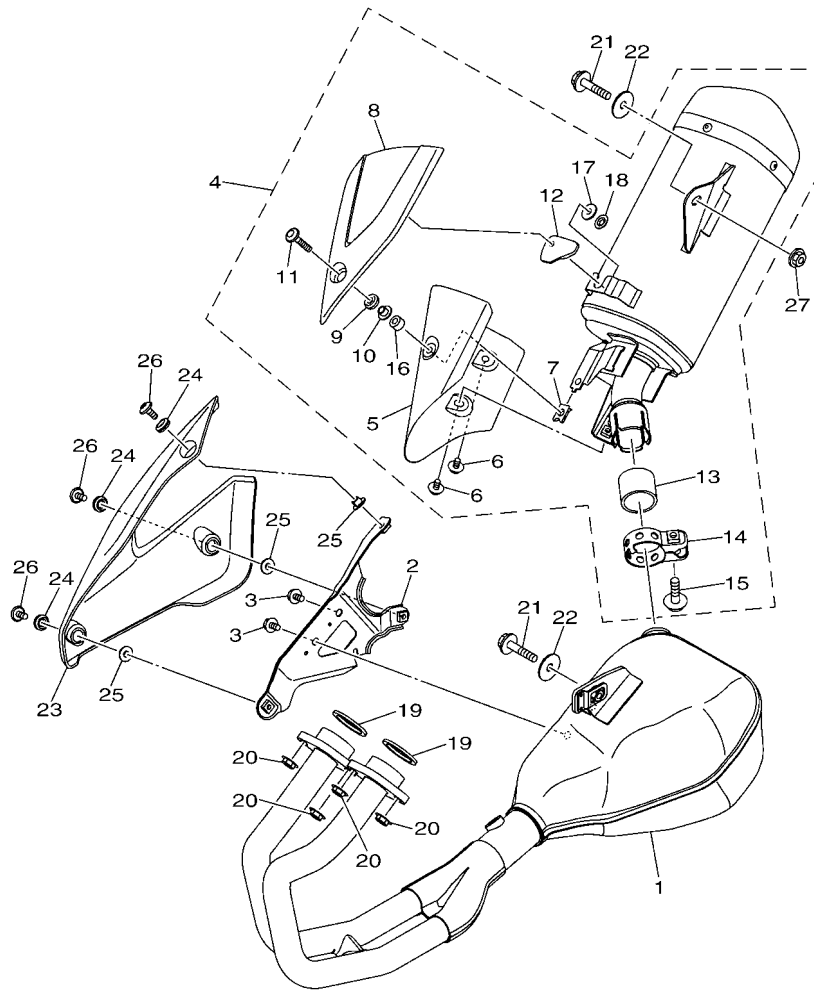


B9AA700-U080

FIG. 8 INTAKE

REF. NO.	PART NO.	DESCRIPTION	BDA1				REMARKS
28	BR5-E4437-00	DUCT	1				
29	BS8-E4412-00	CAP, CLEANER CASE 1	1				
30	1WD-E4452-00	SEAL	1				
31	1WD-E4457-00	SEAL	1				
32	97702-50025	SCREW, TAPPING	8				
33	1WD-E4422-00	CAP, CLEANER CASE 2	1				
34	1WD-E4462-00	SEAL	1				
35	98902-05020	SCREW, BIND	3				
36	1WD-E4451-00	ELEMENT, AIR CLEANER	1				
37	52B-E443E-00	PIPE, DRAIN	1				
38	90467-110A3	CLIP	1				
39	54P-E3474-00	BAND	2				
40	95D32-06010	BOLT, FLANGE DEEP RECESS	2				
41	BR5-E3543-00	HOSE, AIR	1				
42	90467-13802	CLIP	1				
43	90467-12052	CLIP	1				
44	2MS-E5373-01	PIPE, BREATHER	1				
45	90467-13802	CLIP	2				

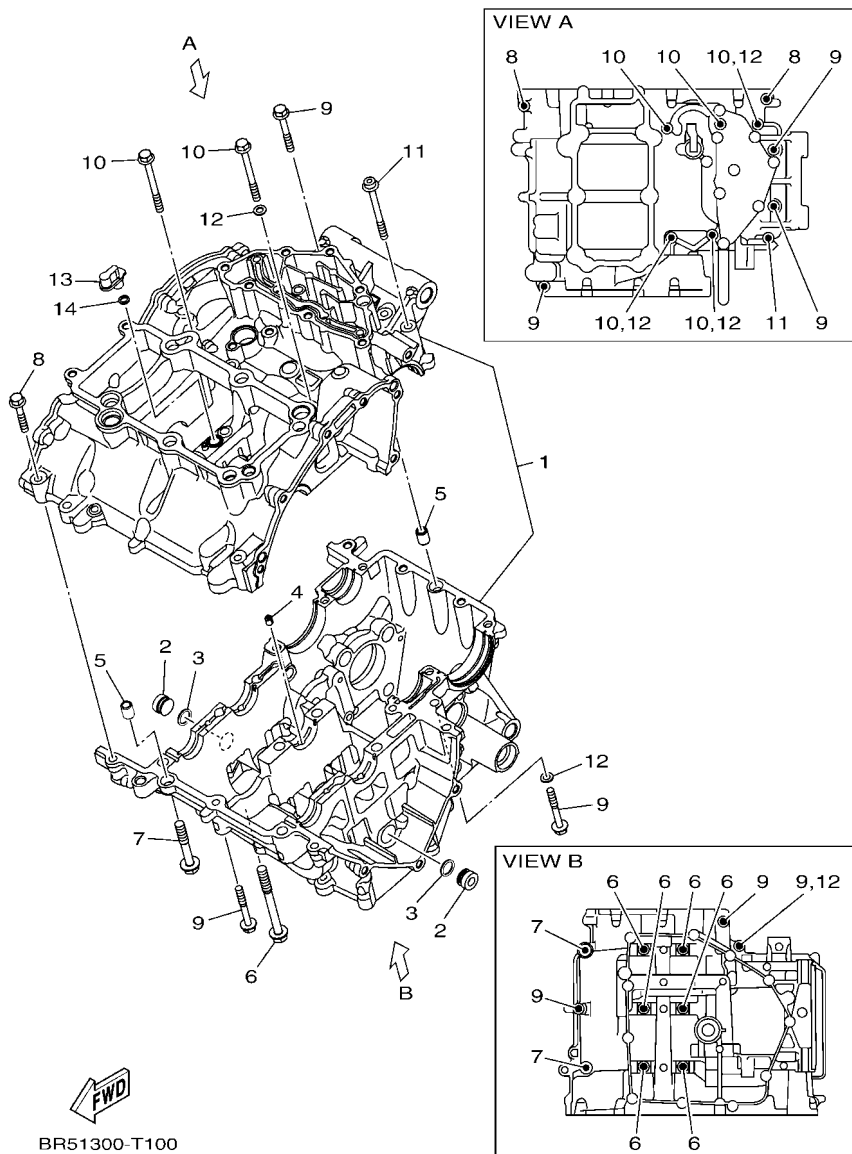
**FIG. 9 EXHAUST**



  
1WD1460-P090

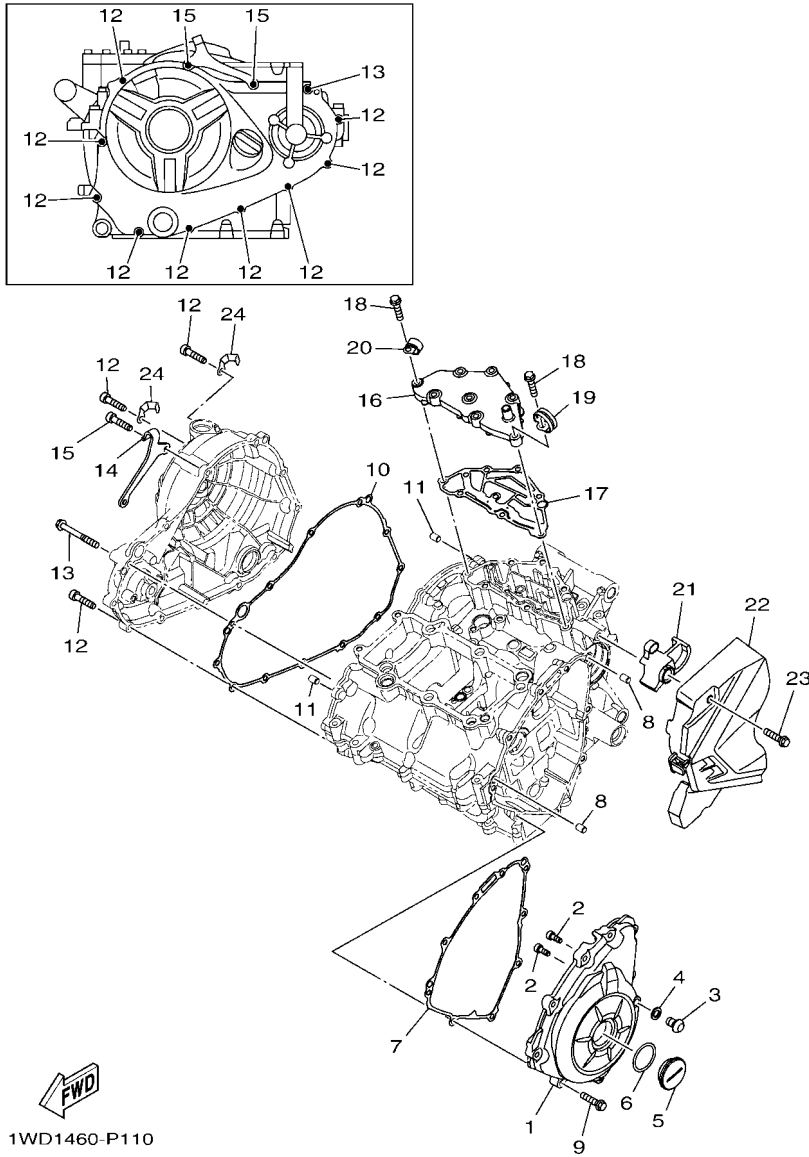
REF. NO.	PART NO.	DESCRIPTION	BDA1				REMARKS
1	BS8-E4602-00	EXHAUST PIPE COMP.	1				
2	1WD-E473L-00	BRACKET 3	1				
3	95027-06010	BOLT, FLANGE	2				
4	BR5-E4710-00	MUFFLER ASSY 1	1				
5	1WD-E4758-00	.PROTECTOR, SILENCER	1				
6	90111-06802	.BOLT,HEX. SOCKET BUTTON	2				
7	90183-06818	.NUT, SPRING	1				
8	1WD-E4728-00	.PROTECTOR, MUFFLER 2	1				
9	90480-12581	.GROMMET	1				
10	90387-06273	.COLLAR	1				
11	90111-06847	.BOLT,HEX. SOCKET BUTTON	1				
12	1WD-E4763-00	.SPACER	1				
13	54D-E4714-00	.GASKET, MUFFLER	1				
14	1WD-E4715-00	.BAND, MUFFLER	1				
15	95027-08035	.BOLT, FLANGE	1				
16	90387-068N4	.COLLAR	1				
17	90201-06088	.WASHER, PLATE	1				
18	90183-06011	.NUT, SPRING	1				
19	1WD-E4613-00	GASKET, EXHAUST PIPE	2				
20	95707-08500	NUT, FLANGE	4				
21	90105-088G7	BOLT, FLANGE	2				
22	90201-08612	WASHER, PLATE	2				
23	1WD-E4628-00	PROTECTOR, EXHAUST PIPE	1				
24	90480-12581	GROMMET	3				
25	90387-087L0	COLLAR	3				
26	90111-06152	BOLT,HEX. SOCKET BUTTON	3				
27	95607-08200	NUT, SELF-LOCKING	1				

FIG. 10 CRANKCASE



BR51300-T100

REF. NO.	PART NO.	DESCRIPTION	BDAT	REMARKS
1	1WD-E5150-20	CRANKCASE ASSY	1	MBL2
2	90338-16262	PLUG	2	
3	93210-12803	O-RING	2	
4	1WD-E5148-00	NOZZLE 2	1	
5	99530-10014	PIN, DOWEL	2	
6	90105-088F7	BOLT, FLANGE	6	
7	90105-088G0	BOLT, FLANGE	2	
8	95812-06035	BOLT, FLANGE	2	
9	95812-06045	BOLT, FLANGE	6	
10	95812-06065	BOLT, FLANGE	5	
11	90110-06882	BOLT, HEXAGON SOCKET HEAD	1	
12	90430-06014	GASKET	4	
13	1WD-E5155-00	NOZZLE 3	1	
14	93210-068F7	O-RING	1	

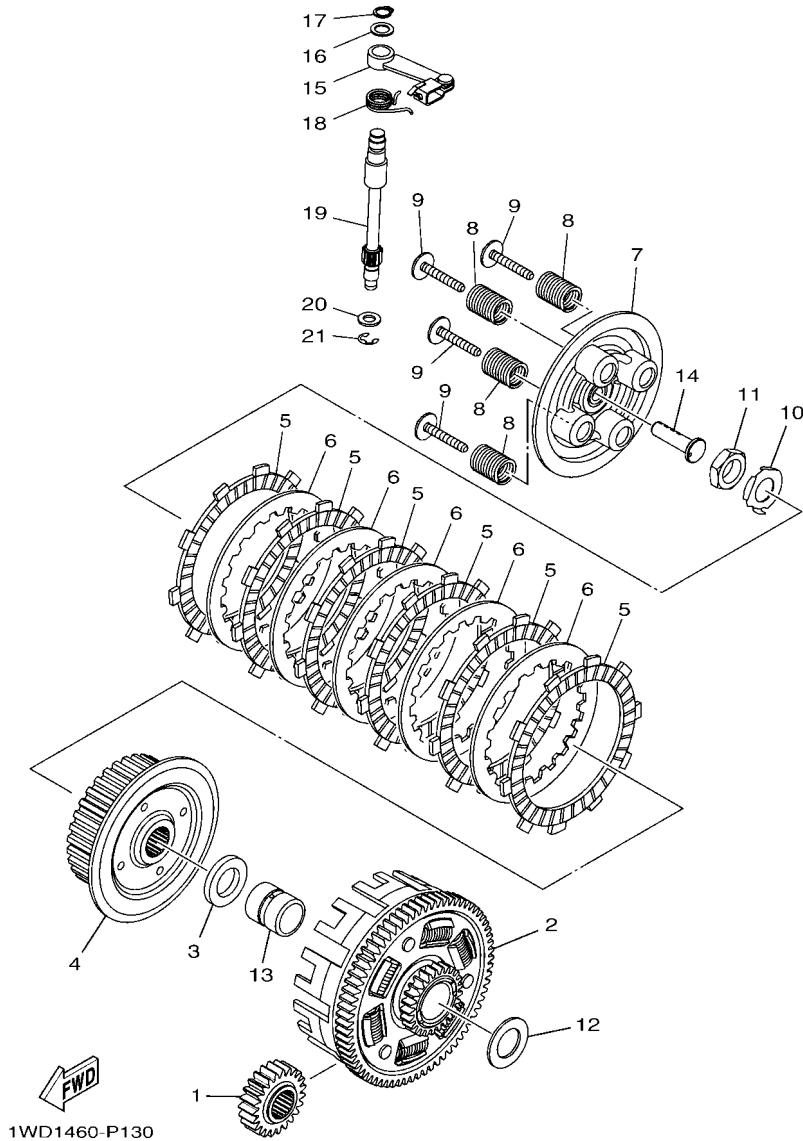


**FIG. 11 CRANKCASE COVER 1**

REF. NO.	PART NO.	DESCRIPTION	BDA1				REMARKS
1	1WD-E5411-00	COVER, CRANKCASE 1	1				MBL2
2	91312-05012	BOLT, HEXAGON SOCKET HEAD	2				
3	92014-08012	BOLT, BUTTON HEAD	1				
4	90430-08143	GASKET	1				
5	90340-32819	PLUG, STRAIGHT SCREW	1				
6	93210-32816	O-RING	1				
7	1WD-E5451-00	GASKET, CRANKCASE COVER 1	1				
8	99530-08012	PIN, DOWEL	2				
9	95022-06025	BOLT, FLANGE	9				
10	1WD-E5461-00	GASKET, CRANKCASE COVER 2	1				
11	99530-08012	PIN, DOWEL	2				
12	95022-06025	BOLT, FLANGE	9				
13	95022-06050	BOLT, FLANGE	1				
14	1WD-E5441-00	HOLDER, CLUTCH CABLE	1				
15	91312-06025	BOLT, HEXAGON SOCKET HEAD	2				
16	1WD-E5413-10	COVER	1				
17	1WD-E5462-00	GASKET, CRANKCASE COVER 3	1				
18	95022-06025	BOLT, FLANGE	8				
19	90462-08819	CLAMP	1				
20	90462-08806	CLAMP	1				
21	BS7-E5377-00	GUIDE, INLET	1				
22	1WD-E5418-00	COVER, CHAIN CASE	1				
23	95022-06025	BOLT, FLANGE	2				
24	90462-08225	CLAMP	2				



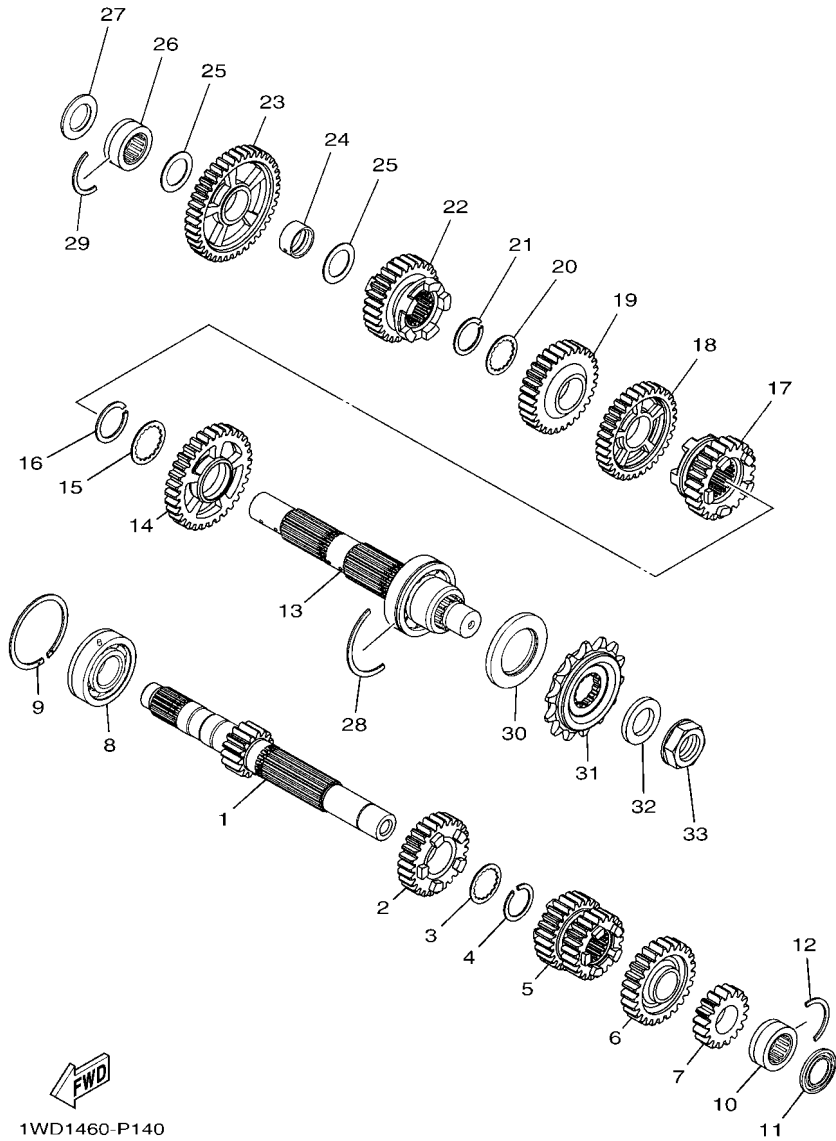
**FIG. 13 CLUTCH**



1WD1460-P130

REF. NO.	PART NO.	DESCRIPTION	BDA1				REMARKS
1	1WD-E6111-00	GEAR, PRIMARY DRIVE	1				
2	1WD-E6150-00	PRIMARY DRIVEN GEAR COMP.	1				
3	1WD-E6154-00	PLATE, THRUST 1	1				
4	1WD-E6371-00	BOSS, CLUTCH	1				
5	1WD-E6331-00	PLATE, FRICTION 2	6				
6	1WD-E6324-00	PLATE, CLUTCH 1	5				
7	1WD-E6350-01	PRESSURE PLATE ASSY	1				
8	1WD-E6333-10	SPRING, CLUTCH 1	4				
9	1WD-E6337-00	SCREW, SPRING	4				
10	90215-18800	WASHER, LOCK	1				
11	90170-18221	NUT	1				
12	90201-22013	WASHER, PLATE	1				
13	1WD-E6181-00	SPACER 1	1				
14	1WD-E6356-00	ROD, PUSH 1	1				
15	1WD-E6340-00	PUSH LEVER ASSY	1				
16	90201-10843	WASHER, PLATE	1				
17	99009-10400	CIRCLIP	1				
18	90508-18136	SPRING, TORSION	1				
19	1WD-16382-00	AXLE, PUSH LEVER	1				
20	92902-08600	WASHER, PLATE	1				
21	99002-07600	CIRCLIP(E)	1				

**FIG. 14 TRANSMISSION**

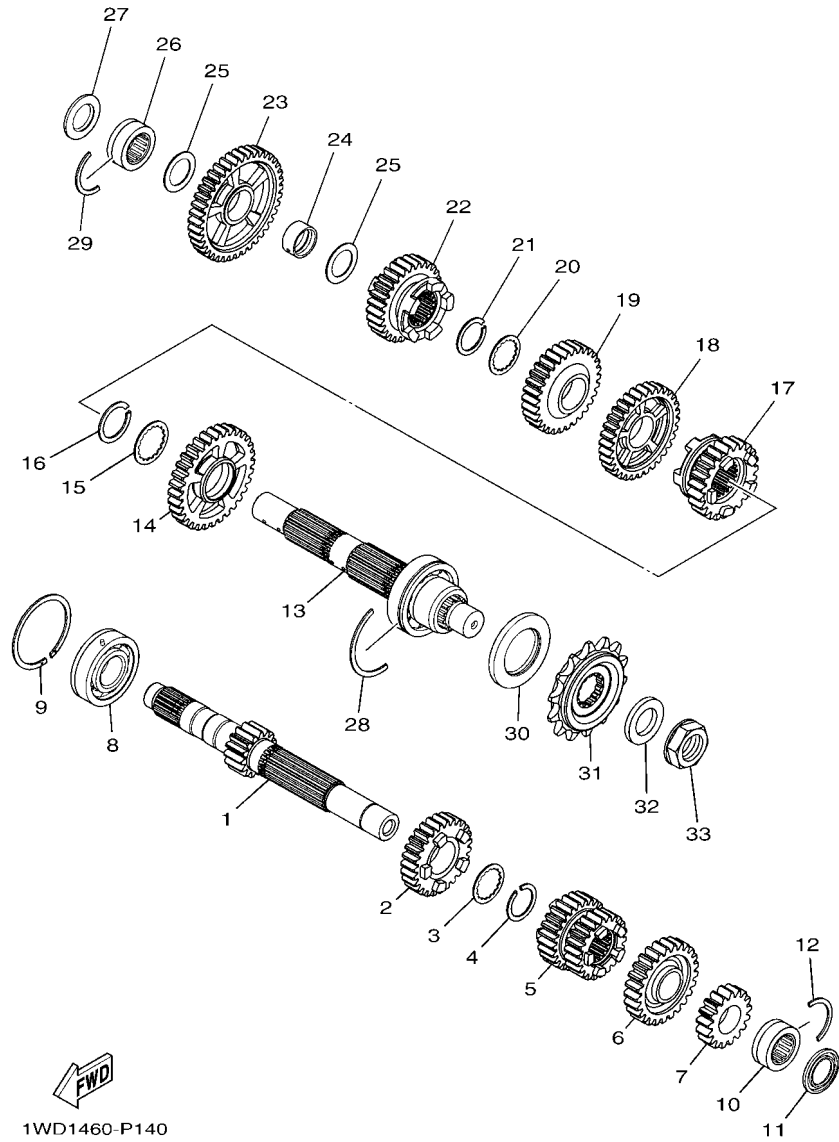


1WD1460-P140

REF. NO.	PART NO.	DESCRIPTION	BDA1				REMARKS
1	1WD-E7411-00	AXLE, MAIN (15T)	1				
2	1WD-E7151-00	GEAR, 5TH PINION (27T)	1				
3	90214-22008	WASHER, CLAW	1				
4	93440-24200	CIRCLIP	1				
5	1WD-E7131-00	GEAR, 3RD PINION (22T/25T)	1				
6	1WD-E7161-00	GEAR, 6TH PINION (25T)	1				
7	1WD-E7121-00	GEAR, 2ND PINION (17T)	1				
8	93306-255Y9	BEARING	1				
9	93440-52009	CIRCLIP	1				
10	93311-420Y3	BEARING	1				
11	93101-20802	OIL SEAL	1				
12	278-17425-00	CIRCLIP 2	1				
13	1WD-E7402-00	DRIVE AXLE ASSY	1				
14	1WD-E7221-00	GEAR, 2ND WHEEL (32T)	1				
15	90209-25011	WASHER	1				
16	93440-28184	CIRCLIP	1				
17	1WD-E7261-00	GEAR, 6TH WHEEL (23T)	1				
18	1WD-E7231-00	GEAR, 3RD WHEEL (32T)	1				
19	1WD-E7241-00	GEAR, 4TH WHEEL (30T)	1				
20	90214-22008	WASHER, CLAW	1				
21	93440-24200	CIRCLIP	1				
22	1WD-E7251-00	GEAR, 5TH WHEEL (28T)	1				
23	1WD-E7211-00	GEAR, 1ST WHEEL (40T)	1				
24	90387-20814	COLLAR	1				
25	90201-20276	WASHER, PLATE (T=1.0)	2				
26	93311-420Y3	BEARING	1				
27	93101-20802	OIL SEAL	1				



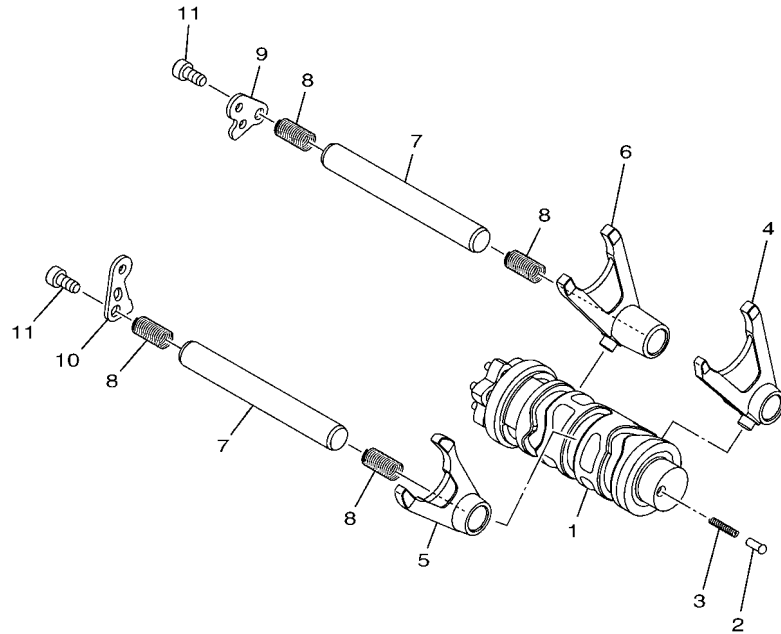
**FIG. 14 TRANSMISSION**



1WD1460-P140

REF. NO.	PART NO.	DESCRIPTION	BDA1				REMARKS
28	1WD-17424-00	CIRCLIP 1	1				
29	278-17425-00	CIRCLIP 2	1				
30	93102-35808	OIL SEAL	1				
31	1WD-E7460-00	SPROCKET, DRIVE (14T)	1				
32	90201-20023	WASHER, PLATE	1				
33	90179-20013	NUT	1				
<hr/>							
<hr/>							
<hr/>							
<hr/>							
<hr/>							
<hr/>							
<hr/>							
<hr/>							
<hr/>							
<hr/>							

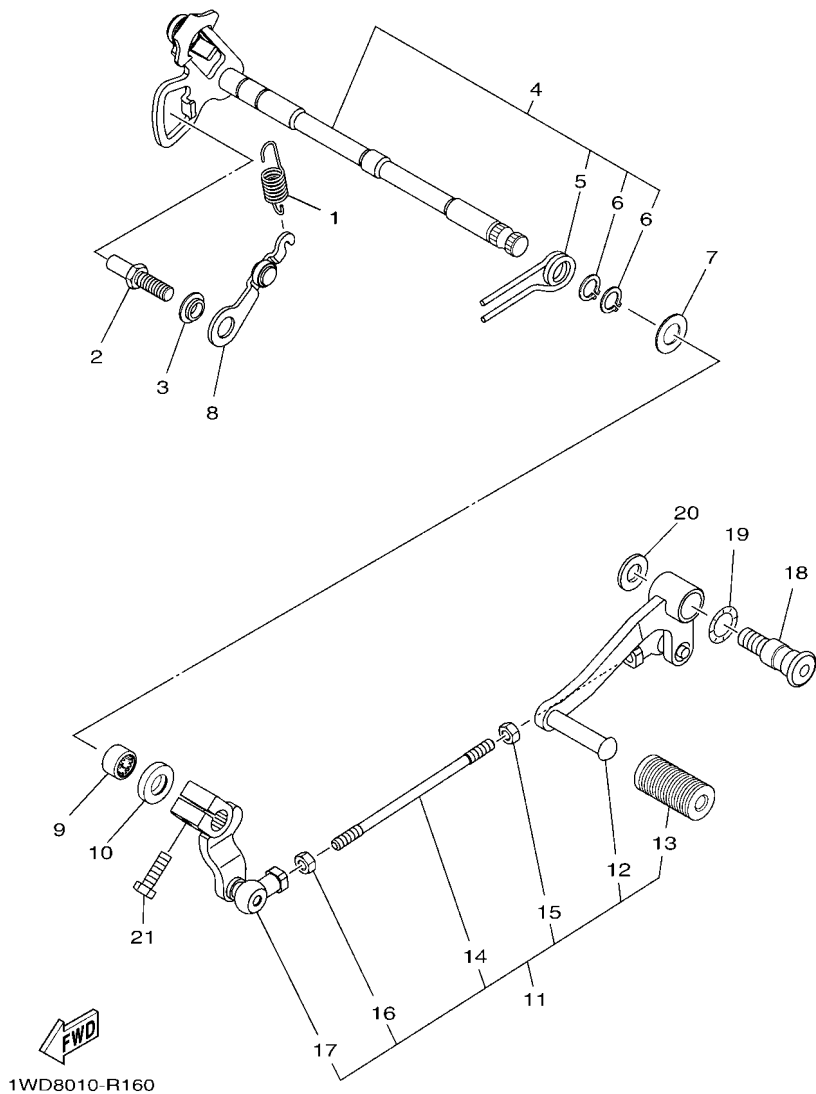
**FIG. 15 SHIFT CAM & FORK**



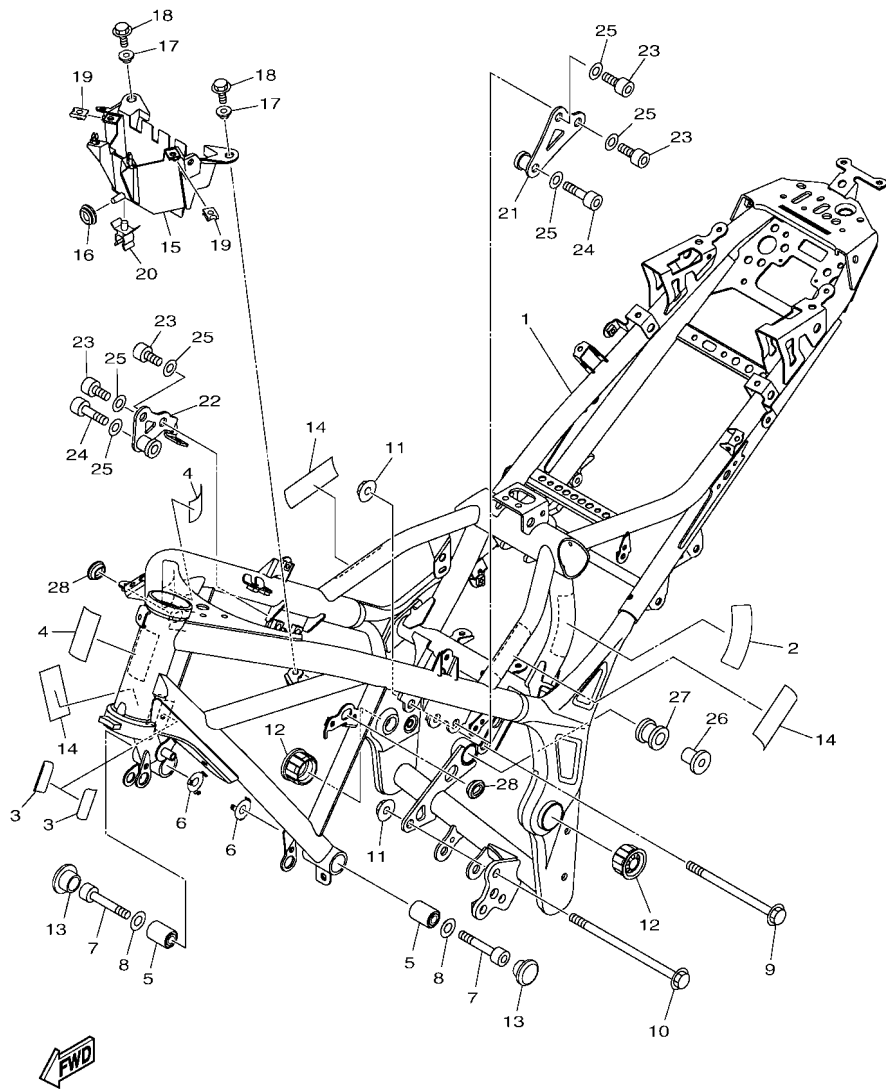
REF. NO.	PART NO.	DESCRIPTION	BDA1				REMARKS
1	1WD-E8540-10	SHIFT CAM ASSY	1				
2	5TP-E8542-00	POINT, NEUTRAL	1				
3	90501-06022	SPRING, COMPRESSION	1				
4	1WD-E8511-00	FORK, SHIFT 1	1				
5	1WD-E8512-00	FORK, SHIFT 2	1				
6	1WD-E8513-00	FORK, SHIFT 3	1				
7	1WD-E8531-00	BAR, SHIFT FORK GUIDE 1	2				
8	90501-080A2	SPRING, COMPRESSION	4				
9	1WD-E8536-00	STOPPER, SHIFT BAR	1				
10	1WD-E8562-00	PLATE, STOPPER 2	1				
11	90110-06182	BOLT, HEXAGON SOCKET HEAD	2				

  
1WD1460-P150

**FIG. 16 SHIFT SHAFT**



REF. NO.	PART NO.	DESCRIPTION	BDA1				REMARKS
1	1WD-E8337-00	SPRING	1				
2	1WD-E8127-10	STOPPER, SCREW	1				
3	1WD-E8175-00	SPACER	1				
4	1WD-E8101-00	SHIFT SHAFT ASSY	1				
5	90508-29806	.SPRING, TORSION	1				
6	99009-12400	.CIRCLIP	2				
7	90201-127E1	WASHER, PLATE	1				
8	1WD-E8140-00	STOPPER LEVER ASSY	1				
9	93317-11295	BEARING	1				
10	93102-12891	OIL SEAL	1				
11	1WD-E8110-00	SHIFT PEDAL ASSY	1				
12	1WD-E8111-00	.PEDAL, SHIFT	1				
13	1EG-E8113-01	.COVER, SHIFT PEDAL	1				
14	1WD-E8115-00	.ROD, SHIFT	1				
15	90170-06023	.NUT	1				
16	95302-06600	.NUT, HEXAGON	1				
17	1WD-E8112-00	.ARM, SHIFT	1				
18	BS8-F7261-00	SHAFT	1				
19	90206-14001	WASHER, WAVE	1				
20	90201-10021	WASHER, PLATE	1				
21	97012-06020	BOLT	1				

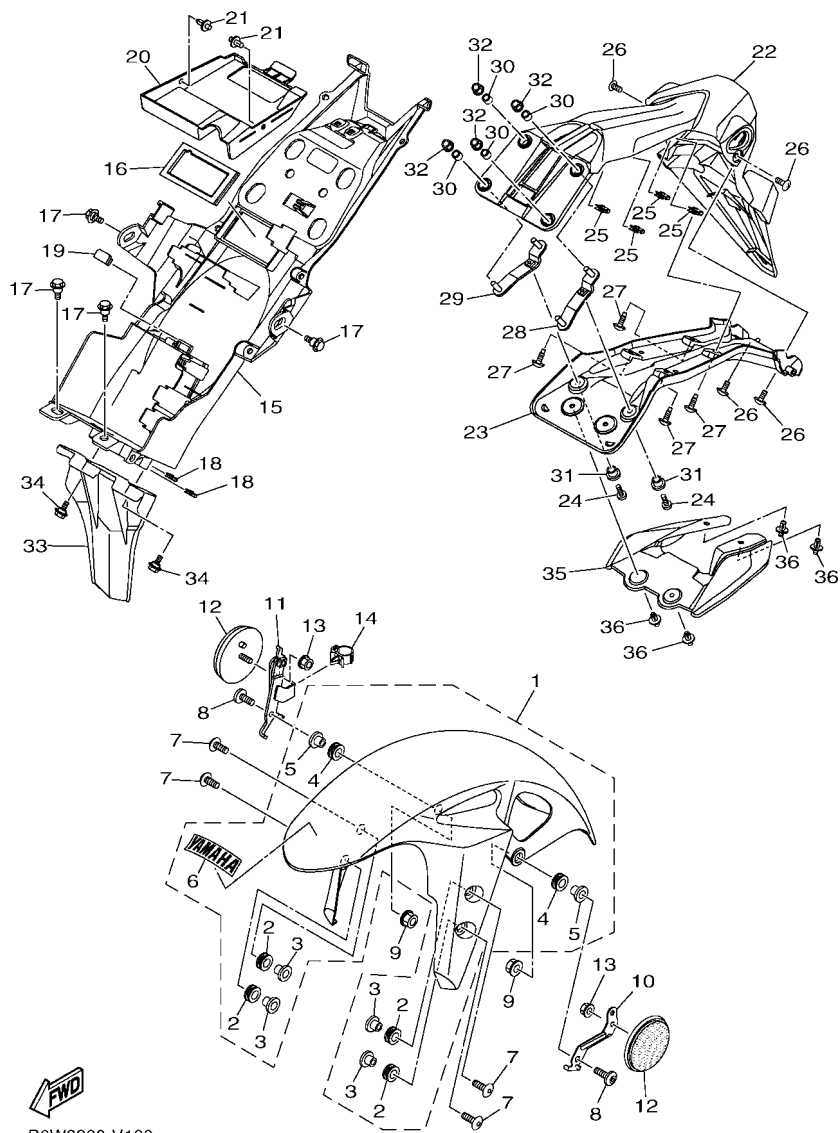


BDA1440-V170

FIG. 17 FRAME

REF. NO.	PART NO.	DESCRIPTION	BDA1			REMARKS
1	B04-F1110-00-P1	FRAME COMP.	1			MBL2
2	1WD-F1652-00	PROTECTOR	1			
3	1WD-F193A-00	PROTECTOR	2			
4	5D9-F414G-00	SEAL	2			
5	90388-10816	DAMPER	2			
6	1WD-F191B-00	PLATE 1	2			
7	91317-10060	BOLT,HEX.SOCKET HEAD	2			
8	90201-10854	WASHER, PLATE	2			
9	90105-10889	BOLT, FLANGE	1			
10	90105-10891	BOLT, FLANGE	1			
11	90179-10805	NUT	2			
12	1WD-F135F-00	COVER	2			
13	90338-23801	PLUG	2			
14	B04-F414G-00	SEAL	3			
15	1WD-F1171-00	BOX	1			
16	90480-13398	GROMMET	1			
17	90387-07819	COLLAR	2			
18	95022-06014	BOLT, FLANGE	2			
19	90183-06818	NUT, SPRING	2			
20	90464-12015	CLAMP	1			
21	1WD-F122A-00	STAY 1	1			
22	B04-F122B-00	STAY 2	1			
23	91317-10020	BOLT,HEX.SOCKET HEAD	4			
24	91317-10045	BOLT,HEX.SOCKET HEAD	2			
25	92907-10600	WASHER, PLATE	6			
26	90387-08813	COLLAR	1			
27	5TP-E4747-00	DAMPER, MUFFLER	1			



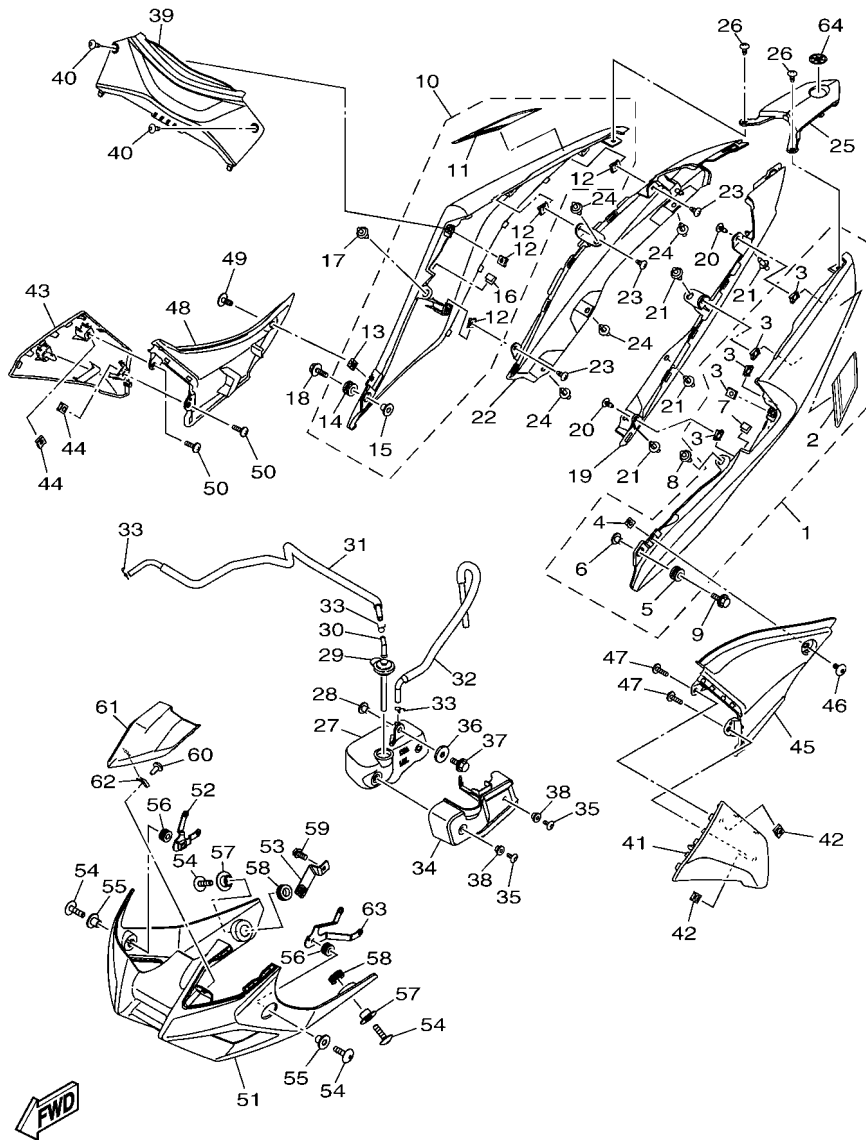


B6W3300-V180

FIG. 18 FENDER

REF. NO.	PART NO.	DESCRIPTION	BDA1	REMARKS
1	BS7-XF151-00-P3	FENDER, FRONT	1	UR FOR DPBMC
	BS7-XF151-00-P5	FENDER, FRONT	1	UR FOR MLNM4
2	90480-12808	.GROMMET	4	
3	90387-06899	.COLLAR	4	
4	90480-12808	.GROMMET	2	
5	90387-06899	.COLLAR	2	
6	5BP-F153E-90	.EMBLEM, YAMAHA	1	UR FOR DPBMC
	5BP-F153E-A0	.EMBLEM, YAMAHA	1	UR FOR MLNM4
7	90111-06137	BOLT,HEX. SOCKET BUTTON	4	
8	90111-06847	BOLT,HEX. SOCKET BUTTON	2	
9	95702-06500	NUT, FLANGE	2	
10	B5L-F113J-00	BRACKET, REFLECTOR 1	1	
11	B5L-F113K-01	BRACKET, REFLECTOR 2	1	
12	2FC-H5111-00	REFLECTOR, 1	2	
13	95702-05500	NUT, FLANGE	2	
14	90464-16006	CLAMP	1	
15	BR5-F1611-01	FENDER, REAR	1	
16	1WD-F1669-00	SEAL	1	
17	90109-063F1	BOLT	4	
18	90183-05076	NUT, SPRING	2	
19	1WD-F16A2-00	SEAL, 2	1	
20	BR5-F163E-00	COVER, REAR FENDER 2	1	
21	90269-06816	RIVET	2	
22	1WD-F1629-01	GUARD, MUD	1	
23	1WD-F1617-00	BRACKET, FENDER	1	
24	90111-05021	BOLT,HEX. SOCKET BUTTON	2	
25	90183-050A7	NUT, SPRING	4	



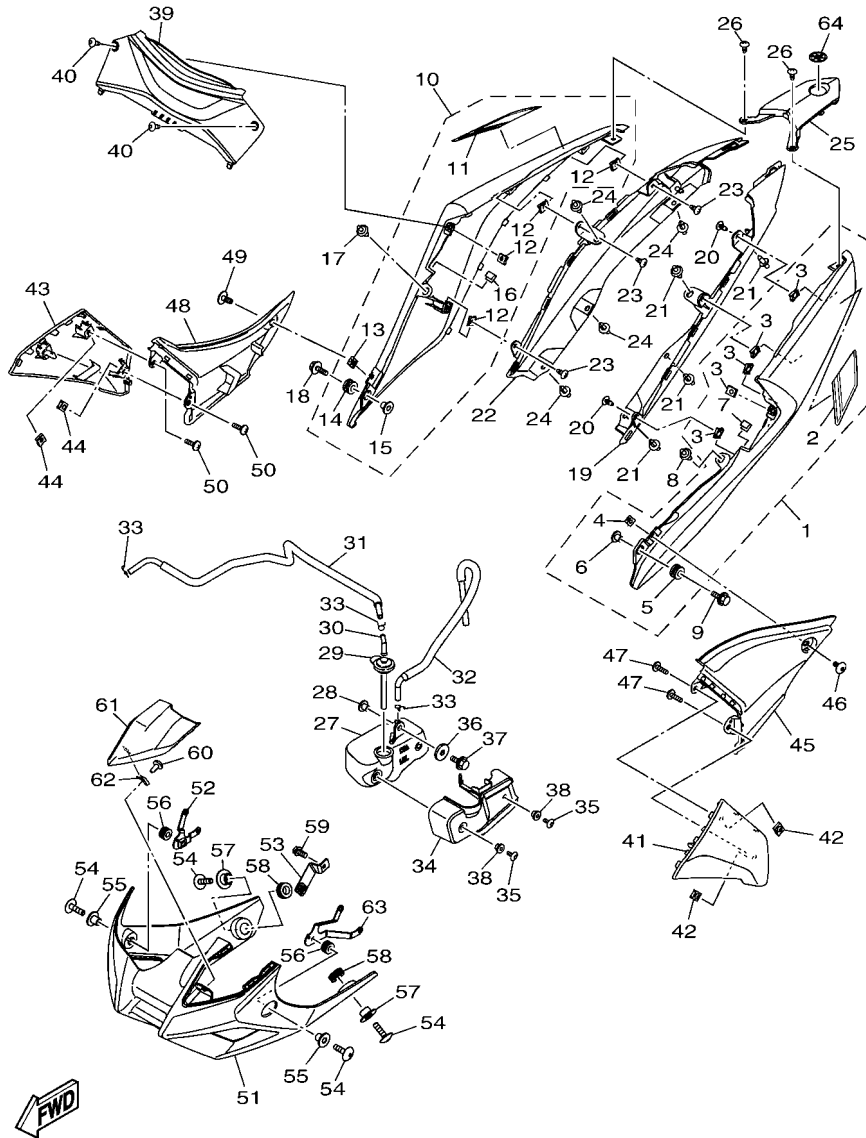


B6W1431-V190

FIG. 19 SIDE COVER

REF. NO.	PART NO.	DESCRIPTION	BDA1	REMARKS
1	1WD-XF171-21-P6	COVER, SIDE 1	1	UR FOR DPBMC
	1WD-XF171-31-P6	COVER, SIDE 1	1	UR FOR MLNM4
2	B9T-F173E-01	.GRAPHIC 1	1	UR FOR DPBMC
	B9T-F173E-11	.GRAPHIC 1	1	UR FOR MLNM4
3	90183-05807	.NUT, SPRING	5	
4	90183-050A7	.NUT, SPRING	1	
5	90480-12808	.GROMMET	1	
6	90387-06899	.COLLAR	1	
7	31B-F8307-00	.SEAL	1	
8	90269-06816	RIVET	1	
9	90119-06810	BOLT, WITH WASHER	1	
10	1WD-XF172-21-P6	COVER, SIDE 2	1	UR FOR DPBMC
	1WD-XF172-31-P6	COVER, SIDE 2	1	UR FOR MLNM4
11	B9T-F173F-01	.GRAPHIC 2	1	UR FOR DPBMC
	B9T-F173F-11	.GRAPHIC 2	1	UR FOR MLNM4
12	90183-05807	.NUT, SPRING	4	
13	90183-050A7	.NUT, SPRING	1	
14	90480-12808	.GROMMET	1	
15	90387-06899	.COLLAR	1	
16	31B-F8307-00	.SEAL	1	
17	90269-06816	RIVET	1	
18	90119-06810	BOLT, WITH WASHER	1	
19	1WD-F171L-00	MOLE, SIDE COVER 1	1	
20	97707-50016	SCREW, TRUSS HEAD TAPPING	2	
21	90269-06816	RIVET	4	
22	1WD-F171M-00	MOLE, SIDE COVER 2	1	
23	97707-50016	SCREW, TRUSS HEAD TAPPING	3	

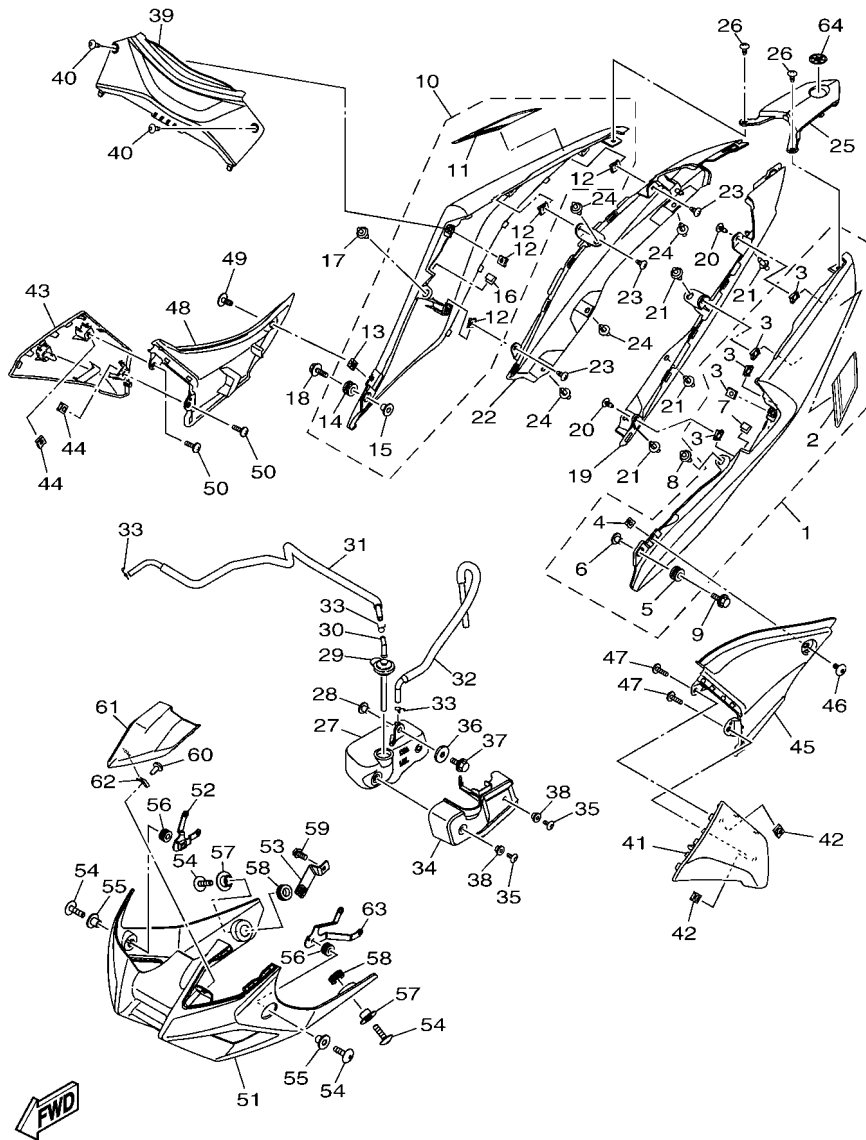




B6W1431-V190

FIG. 19 SIDE COVER

REF. NO.	PART NO.	DESCRIPTION	BDA1				REMARKS
24	90269-06816	RIVET	4				
25	1WD-F171N-00	MOLE, SIDE COVER 3	1				
26	97707-50016	SCREW, TRUSS HEAD TAPPING	2				
27	1WD-F1871-01	TANK, RECOVERY	1				
28	90387-06857	COLLAR	1				
29	1WD-F1875-00	CAP	1				
30	3C1-F1828-00	ELBOW	1				
31	1WD-F1816-01	PIPE 1	1				
32	1WD-F1817-00	PIPE 2	1				
33	90467-08003	CLIP	3				
34	BS7-F172W-00	COVER	1				
35	90111-05003	BOLT,HEX. SOCKET BUTTON	2				
36	90201-06380	WASHER PLAIN	1				
37	95807-06014	BOLT, FLANGE	1				
38	90560-06244	SPACER	2				
39	1WD-F1731-00-P4	COVER, SIDE 3	1				MBL2
40	90160-05810	SCREW, ROUND TAPPING	2				
41	B9T-F171E-00-P0	COVER, SIDE 5	1				UR FOR DPBMC
	B9T-F171E-00-P1	COVER, SIDE 5	1				UR FOR MLNM4
42	90183-05807	NUT, SPRING	2				
43	B9T-F171X-00-P0	COVER, SIDE 6	1				UR FOR DPBMC
	B9T-F171X-00-P1	COVER, SIDE 6	1				UR FOR MLNM4
44	90183-05807	NUT, SPRING	2				
45	B9T-F1716-00	LID, SIDE COVER	1				
46	90111-05003	BOLT,HEX. SOCKET BUTTON	1				
47	97702-50016	SCREW,TAPPING	2				
48	B9T-F1726-00	LID, SIDE COVER 2	1				

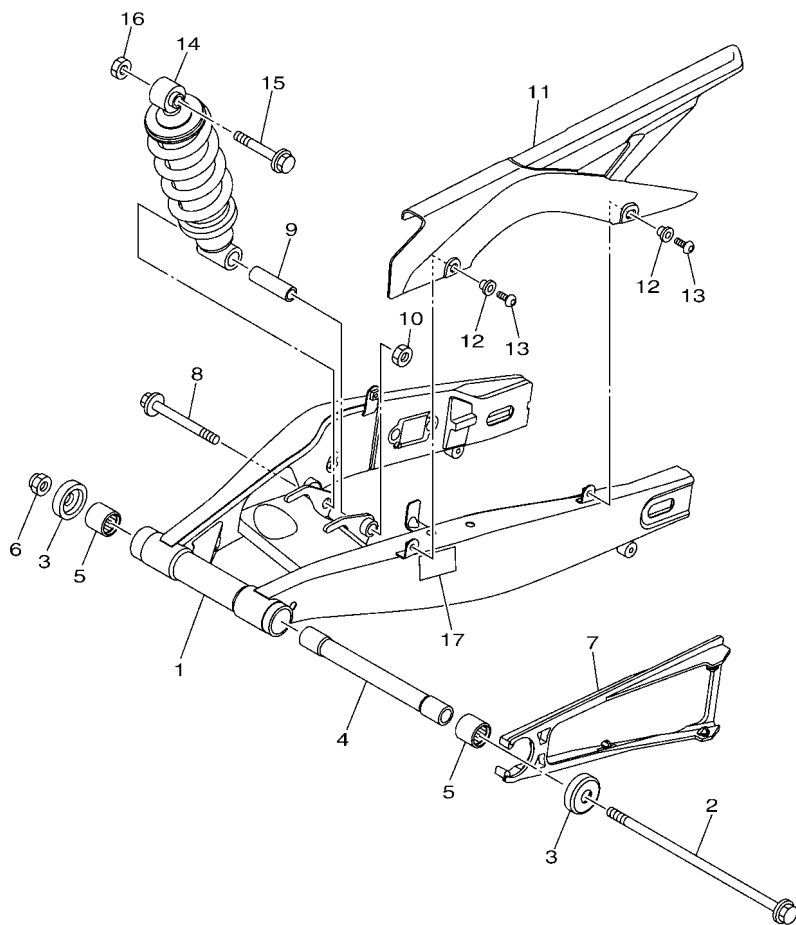


B6W1431-V190

FIG. 19 SIDE COVER

REF. NO.	PART NO.	DESCRIPTION	BDA1				REMARKS
49	90111-05003	BOLT,HEX. SOCKET BUTTON	1				
50	97702-50016	SCREW,TAPPING	2				
51	B6W-F8385-00-P0	COVER, UNDER	1				MBL2
52	B04-F833F-00	BRACKET 9	1				
53	B04-F833G-00	BRACKET 10	1				
54	90111-06117	BOLT,HEX. SOCKET BUTTON	4				
55	90387-06899	COLLAR	2				
56	90480-12808	GROMMET	2				
57	90387-09801	COLLAR	2				
58	90480-18418	GROMMET	2				
59	95022-06012	BOLT, FLANGE	1				
60	97702-50012	SCREW, TAPPING	1				
61	B08-F842M-00	COVER 1	1				
62	90183-05807	NUT, SPRING	1				
63	B04-F833E-00	BRACKET 8	1				
64	1PA-F836B-00	TUNING FORK MARK	1				

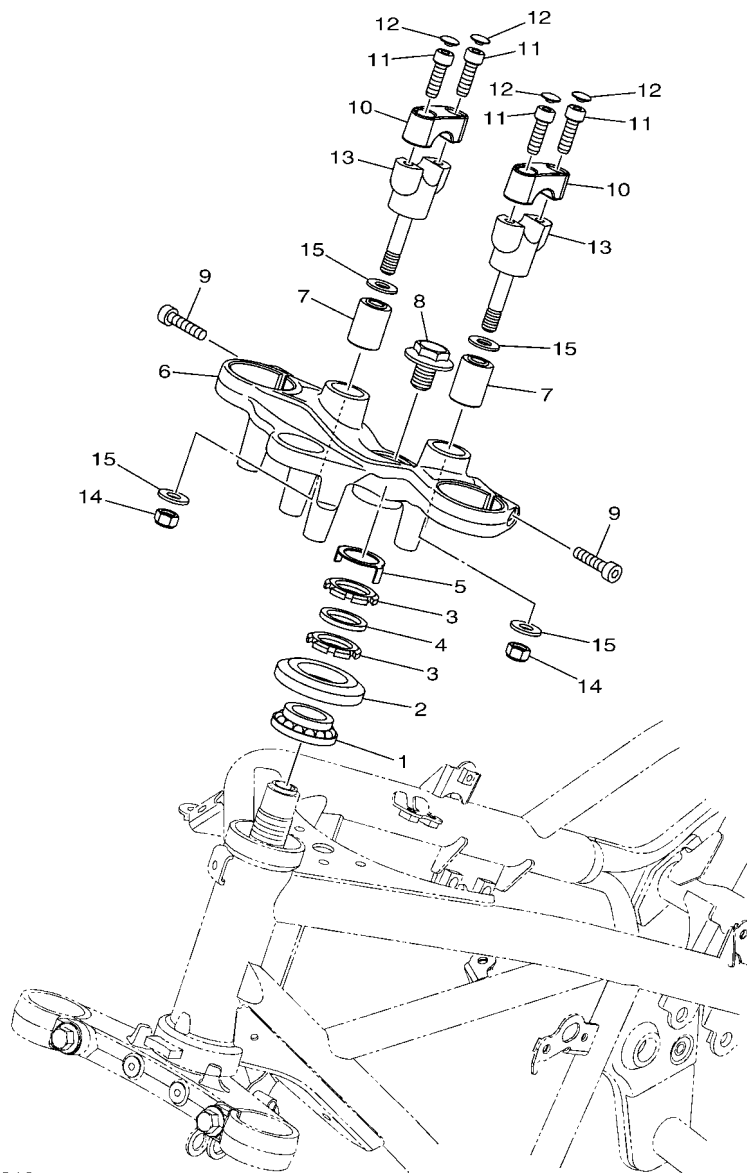
**FIG. 20 REAR ARM & SUSPENSION**



  
 B041460-R200

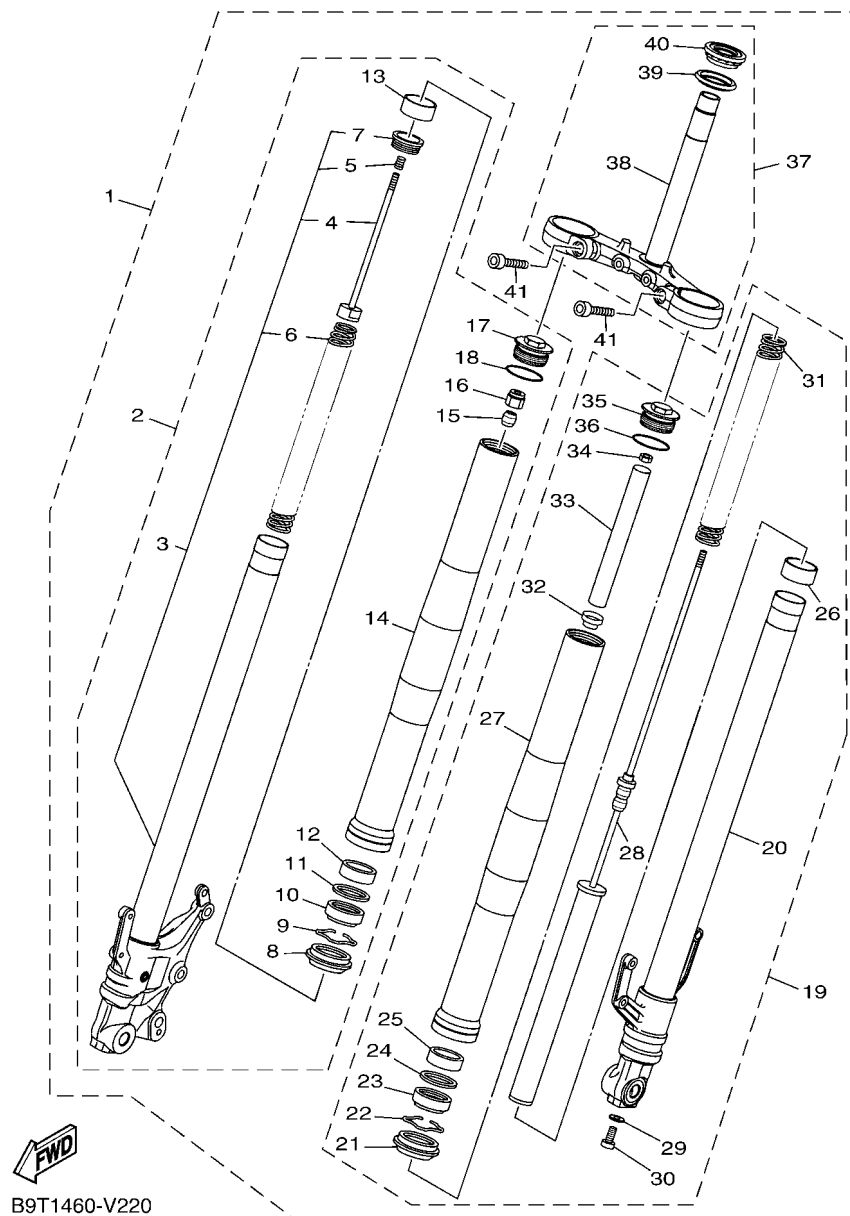
REF. NO.	PART NO.	DESCRIPTION	BDA1				REMARKS
1	1WD-F2110-00	REAR ARM COMP.	1				MBL2
2	1WD-22141-00	SHAFT, PIVOT	1				
3	1WD-F2129-00	COVER, THRUST 2	2				
4	1WD-F2184-00	BUSH	1				
5	93320-32403	BEARING	2				
6	95602-14200	NUT, SELF-LOCKING	1				
7	1WD-F2151-00	SEAL, GUARD	1				
8	90105-12309	BOLT, FLANGE	1				
9	1WD-F248B-00	COLLAR, ROD 1	1				
10	95602-12100	NUT, U	1				
11	1WD-F2311-01	CASE, CHAIN	1				
12	90387-06242	COLLAR	2				
13	90111-06119	BOLT, HEX. SOCKET BUTTON	2				
14	BS7-F2210-20	SHOCK ABSORBER ASSY, REAR	1				
15	90105-12093	BOLT, FLANGE	1				
16	95602-12100	NUT, U	1				
17	B17-F1668-00	LABEL, TIRE	1				

**FIG. 21 STEERING**



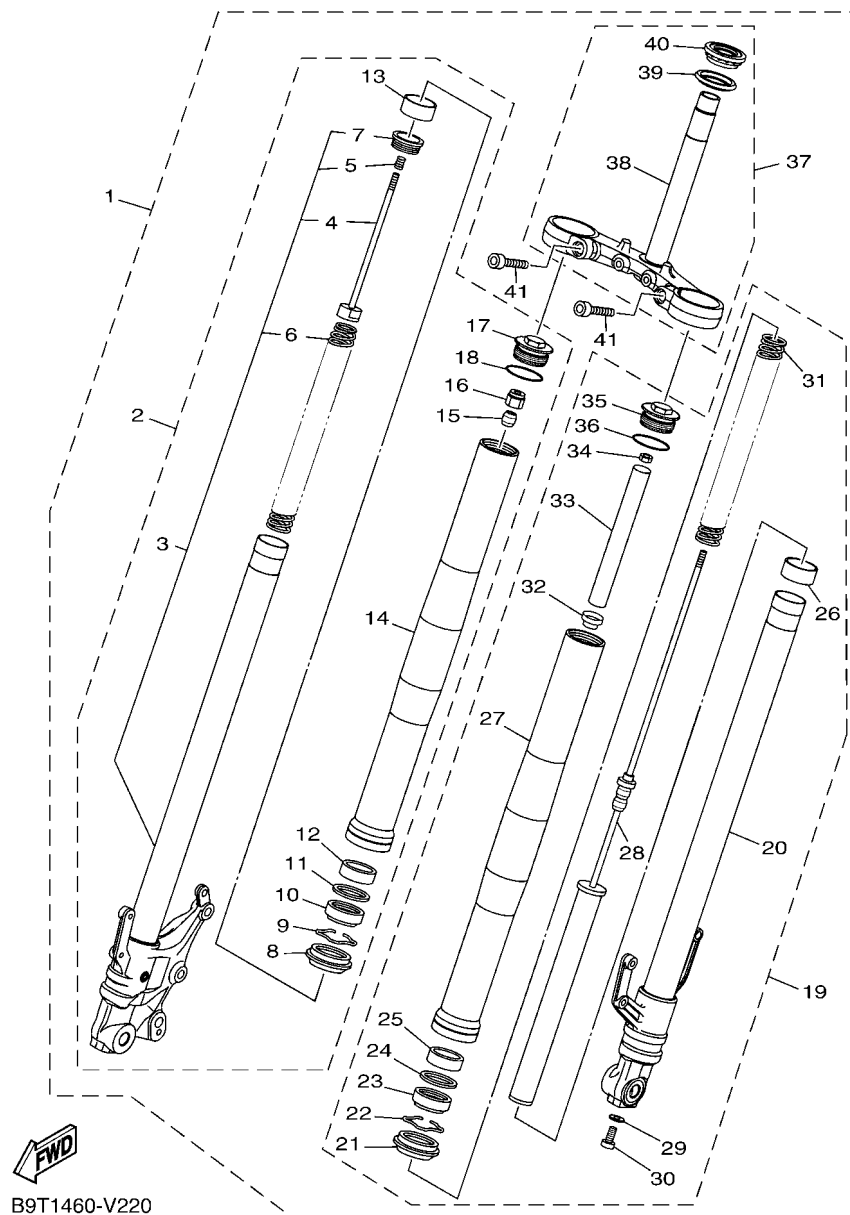
B9T1460-V210

REF. NO.	PART NO.	DESCRIPTION	BDA1				REMARKS
1	93399-999Y3	BEARING	1				
2	5BP-F3416-10	COVER, BALL RACE 2	1				
3	90179-25615	NUT	2				
4	90202-26142	WASHER, PLATE	1				
5	5BP-F3418-00	WASHER, SPECIAL	1				
6	B9T-F3435-00	CROWN, HANDLE	1				
7	90388-10816	DAMPER	2				
8	90105-14102	BOLT, FLANGE	1				
9	91317-08030	BOLT,HEX.SOCKET HEAD	2				
10	B04-F3441-00-P2	HOLDER, HANDLE UPPER	2				MBL2
11	91317-08025	BOLT,HEX.SOCKET HEAD	4				
12	90338-06810	PLUG	4				
13	B9T-F3442-00	HOLDER, HANDLE LOWER	2				
14	95607-10100	NUT, U	2				
15	90201-10074	WASHER, PLATE	4				



**FIG. 22 FRONT FORK**

REF. NO.	PART NO.	DESCRIPTION	BDA1				REMARKS
1	B9T-F3100-10	FRONT FORK ASSY	1				
2	B9T-F3103-10	.FRONT FORK ASSY (R.H)	1				
3	B9T-F3120-10	..INNER TUBE COMP.2	1				
4	BK6-F330G-00	...ROD COMP.	1				
5	3AH-22222-00	...SPRING 2	1				
6	B9T-F3141-00	...SPRING, FRONT FORK	1				
7	BK6-F319U-00	...CAP	1				
8	B48-F3144-00	..SEAL, DUST	1				
9	3R4-23153-00	..RING, SNAP	1				
10	BK6-F3145-00	..OIL SEAL	1				
11	31A-23149-31	..WASHER, SPRING UPPER	1				
12	31A-23125-31	..METAL, SLIDE 1	1				
13	BK6-F3171-00	..PISTON, FRONT FORK	1				
14	B9T-F3126-00	..TUBE, OUTER	1				
15	BK6-F332K-00	..BUMP, STOP	1				
16	BK6-F3393-00	..NUT, SPECIAL	1				
17	BS7-F3111-00	..BOLT, CAP	1				
18	4V4-23188-L0	..O-RING	1				
19	B9T-F3102-00	..FRONT FORK ASSY (L.H)	1				
20	BS7-F3110-00	..INNER TUBE COMP.1	1				
21	B48-F3144-00	..SEAL, DUST	1				
22	3R4-23153-00	..RING, SNAP	1				
23	BK6-F3145-00	..OIL SEAL	1				
24	31A-23149-31	..WASHER, SPRING UPPER	1				
25	31A-23125-31	..METAL, SLIDE 1	1				
26	BK6-F3171-00	..PISTON, FRONT FORK	1				
27	B9T-F3126-00	..TUBE, OUTER	1				

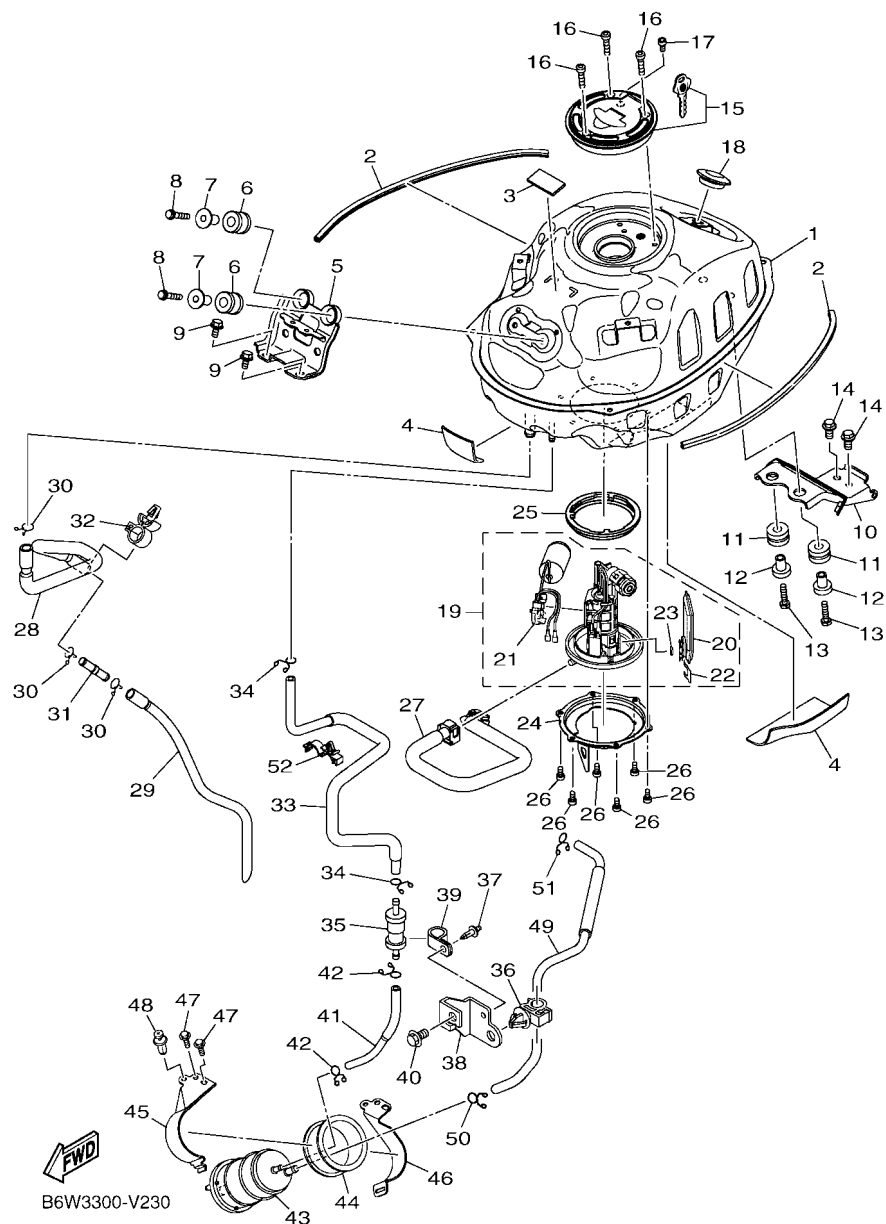


B9T1460-V220

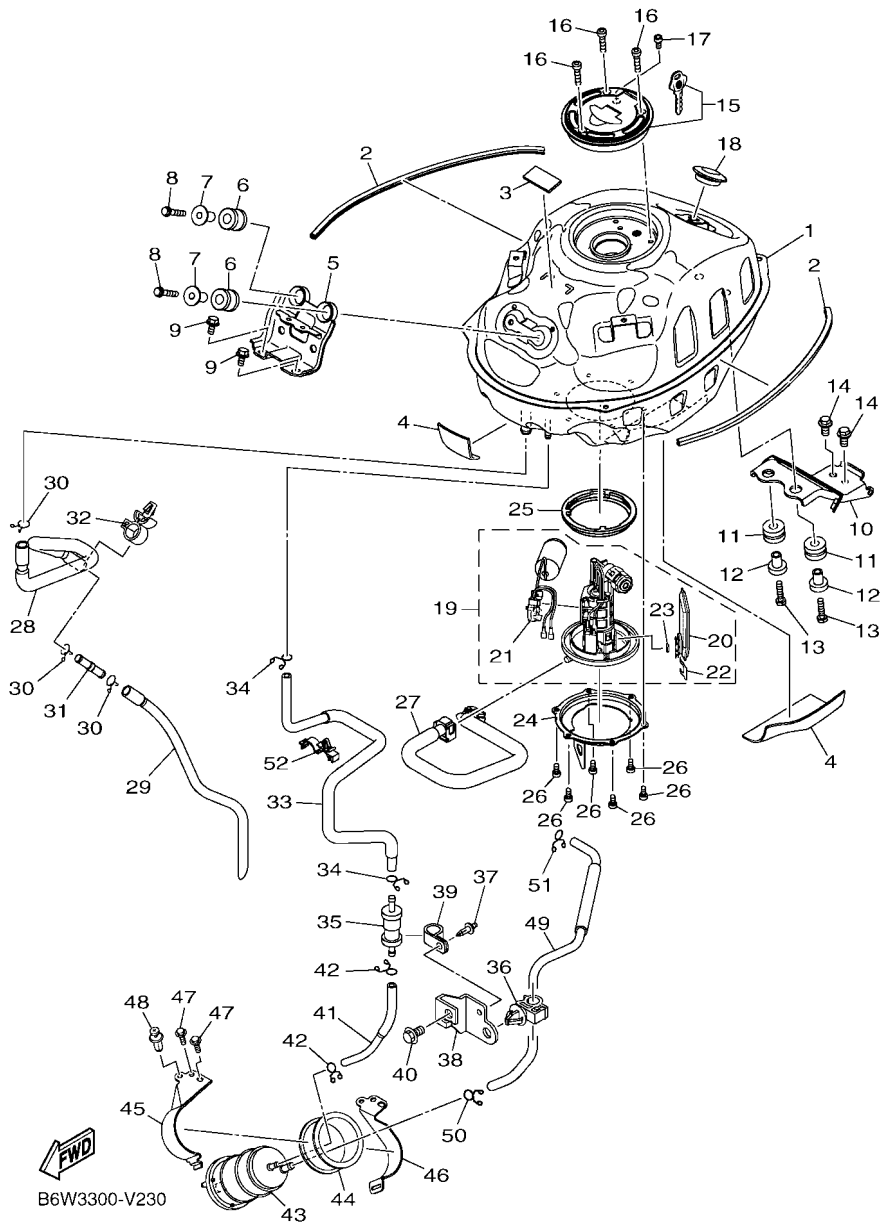
**FIG. 22 FRONT FORK**

REF. NO.	PART NO.	DESCRIPTION	BDA1				REMARKS
28	B9T-F3170-00	..CYLINDER COMP., FRONT FORK	1				
29	2BU-F3158-00	..GASKET	1				
30	31B-F3181-00	..BOLT, HEXAGON SOCKET HEAD	1				
31	B9T-F3141-00	..SPRING, FRONT FORK	1				
32	BK6-F3117-00	..GUIDE, SPRING	1				
33	BS7-F3118-00	..SPACER	1				
34	BK6-F3357-00	..NUT	1				
35	BS7-F3111-00	..BOLT, CAP	1				
36	4V4-23188-L0	..O-RING	1				
37	BS7-F334M-00	..UNDER BRACKET ASSY.	1				
38	BS7-F3340-00	..UNDER BRACKET COMP.	1				
39	3FV-23462-00	..SEAL, STEERING	1				
40	93399-99932	..BEARING	1				
41	91317-10040	..BOLT,HEX.SOCKET HEAD	2				

FIG. 23 FUEL TANK



REF. NO.	PART NO.	DESCRIPTION	BDA1				REMARKS
1	BS7-F4110-00	FUEL TANK COMP.	1				
2	BS7-F4188-00	MOLD, FUEL TANK	2				
3	5D9-H2126-00	PAD, BATTERY	1				
4	90520-02843	DAMPER, PLATE	2				
5	B9T-F412Y-00	BRACKET, TANK FITTING	1				
6	90480-18813	GROMMET	2				
7	90387-068M3	COLLAR	2				
8	97022-06030	BOLT, HEXAGON	2				
9	95817-06012	BOLT, FLANGE	2				
10	BS7-F4191-01	BRACKET, FUEL TANK 1	1				
11	90480-15807	GROMMET	2				
12	90387-068S8	COLLAR	2				
13	97022-06030	BOLT, HEXAGON	2				
14	95022-08014	BOLT, FLANGE	2				
15	BS7-WF461-00	CAP ASSY WITH LOCK	1				
16	90110-05806	BOLT, HEXAGON SOCKET HEAD	3				
17	91312-05010	BOLT, HEXAGON SOCKET HEAD	1				
18	90480-01806	GROMMET	1				
19	BS7-E3907-01	FUEL PUMP COMP.	1				
20	3C1-E3915-00	.FILTER	1				
21	BS7-H5752-00	.SENDER UNIT ASSY, FUEL METER	1				
22	3C1-F4519-00	.CLIP	1				
23	3C1-24512-00	.GASKET	1				
24	BS7-F4491-00	BRACKET, FUEL PUMP	1				
25	3C1-F4486-00	O-RING	1				
26	91312-05010	BOLT, HEXAGON SOCKET HEAD	6				
27	1WD-E3971-02	PIPE, FUEL 1	1				

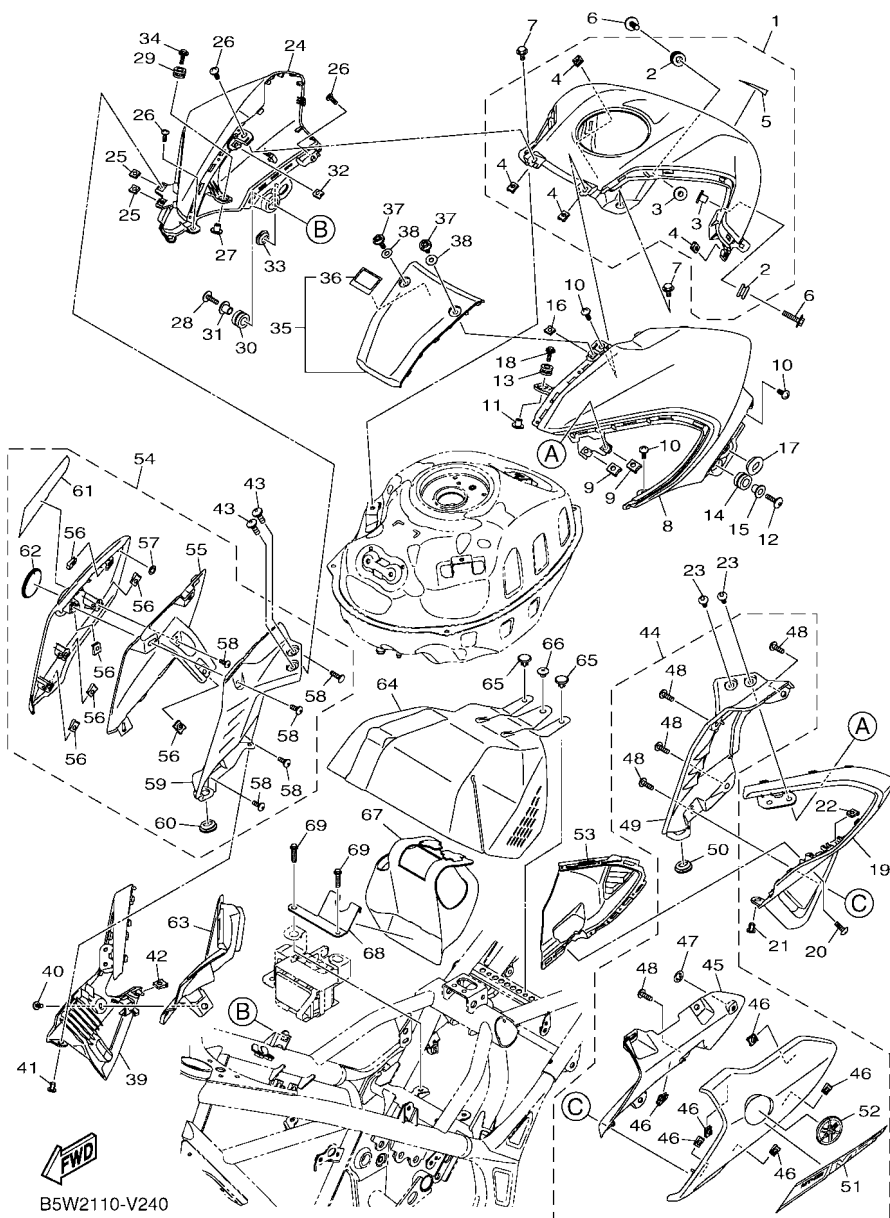


**FIG. 23 FUEL TANK**

REF. NO.	PART NO.	DESCRIPTION	BDA1				REMARKS
28	1WD-F4312-00	PIPE 2	1				
29	B9T-F4314-00	PIPE 4	1				
30	90467-15012	CLIP	3				
31	1WD-F4376-00	PIPE, JOINT 1	1				
32	90464-16012	CLAMP	1				
33	2MS-F4314-01	PIPE 4	1				
34	90467-09006	CLIP	2				
35	1DW-F4180-02	ROLL OVER VALVE ASSY	1				
36	90464-10008	CLAMP	1				
37	90269-05008	RIVET	1				
38	2MS-F419F-00	BRACKET, CANISTOR	1				
39	90464-15014	CLAMP	1				
40	95027-08012	BOLT, FLANGE	1				
41	2MS-F4315-00	PIPE 5	1				
42	90467-09006	CLIP	2				
43	2MS-F4170-00	CANISTER ASSY	1				
44	2MS-F483H-00	BAND	1				
45	2MS-F115R-00	BRACKET, CANISTER	1				
46	2MS-F134X-00	BRACKET, CANISTER	1				
47	95027-06016	BOLT, FLANGE	2				
48	90269-06816	RIVET	1				
49	2MS-F4316-00	PIPE 6	1				
50	90467-11009	CLIP	1				
51	90467-09006	CLIP	1				
52	90464-16006	CLAMP	1				

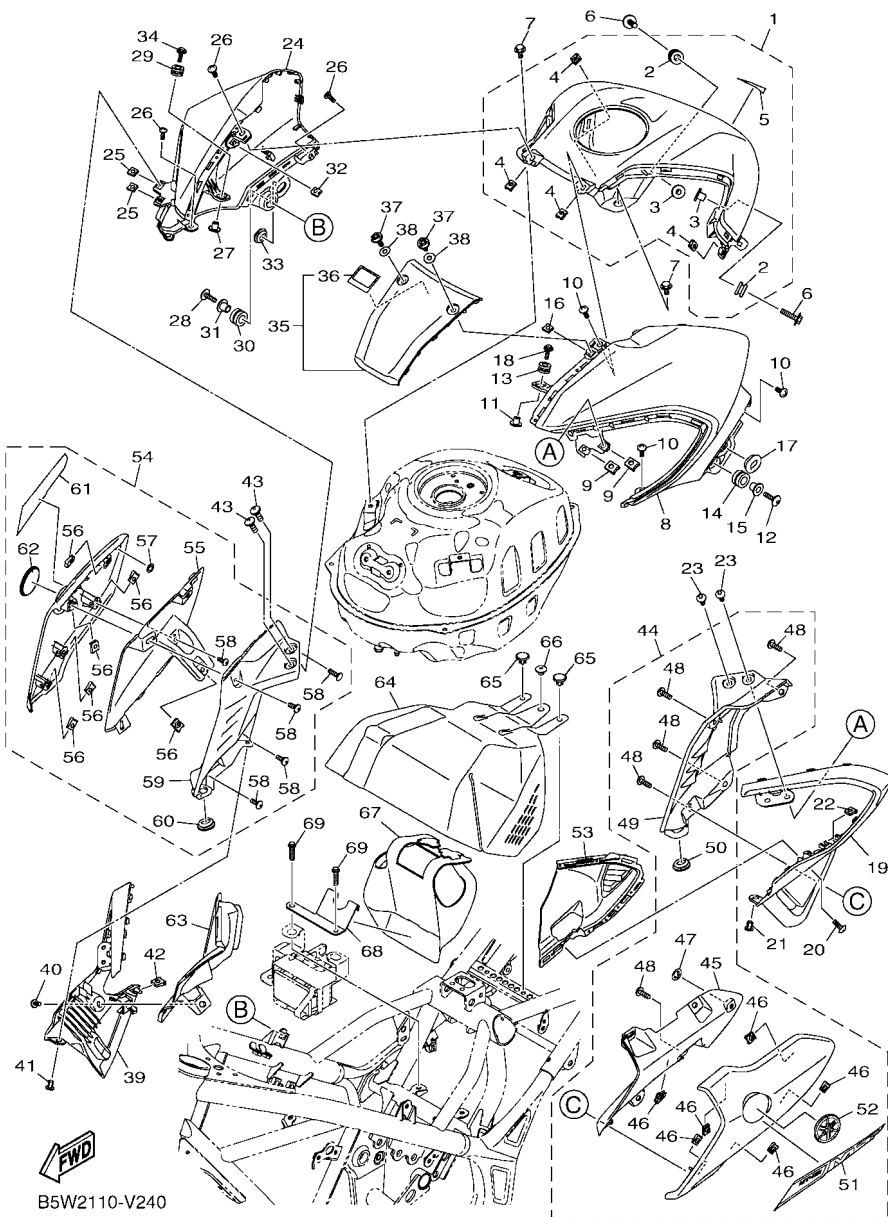


FIG. 24 FUEL TANK 2



B5W2110-V240

REF. NO.	PART NO.	DESCRIPTION	BDA1	REMARKS
1	B9T-XF41D-00-P0	COVER, TANK	1	UR FOR DPBMC
	B9T-XF41D-10-P0	COVER, TANK	1	UR FOR MLNM4
2	90480-12808	.GROMMET	2	
3	90387-06899	.COLLAR	2	
4	90183-05807	.NUT, SPRING	4	
5	B04-F4254-10	.GRAPHIC, FUEL TANK 7	1	UR FOR DPBMC
	B04-F4254-80	.GRAPHIC, FUEL TANK 7	1	UR FOR MLNM4
6	90119-06M17	BOLT, WITH WASHER	2	
7	90109-068B2	BOLT	2	
8	B9T-F4129-00-P0	COVER, SIDE 1	1	UR FOR DPBMC
	B9T-F4129-00-P1	COVER, SIDE 1	1	UR FOR MLNM4
9	90183-05807	NUT, SPRING	2	
10	97702-50016	SCREW, TAPPING	3	
11	90387-06899	COLLAR	1	
12	90110-06087	BOLT, HEXAGON SOCKET HEAD	1	
13	90480-12808	GROMMET	1	
14	90480-17007	GROMMET	1	
15	90387-10107	COLLAR	1	
16	90183-05076	NUT, SPRING	1	
17	90480-01559	GROMMET	1	
18	90119-05020	BOLT, WITH WASHER	1	
19	B9T-F838N-00	DUCT 1	1	
20	90160-05009	SCREW, ROUND TAPPING	1	
21	90269-06816	RIVET	1	
22	90183-05807	NUT, SPRING	1	
23	90160-05009	SCREW, ROUND TAPPING	2	
24	B9T-F4139-00-P0	COVER, SIDE 2	1	UR FOR DPBMC

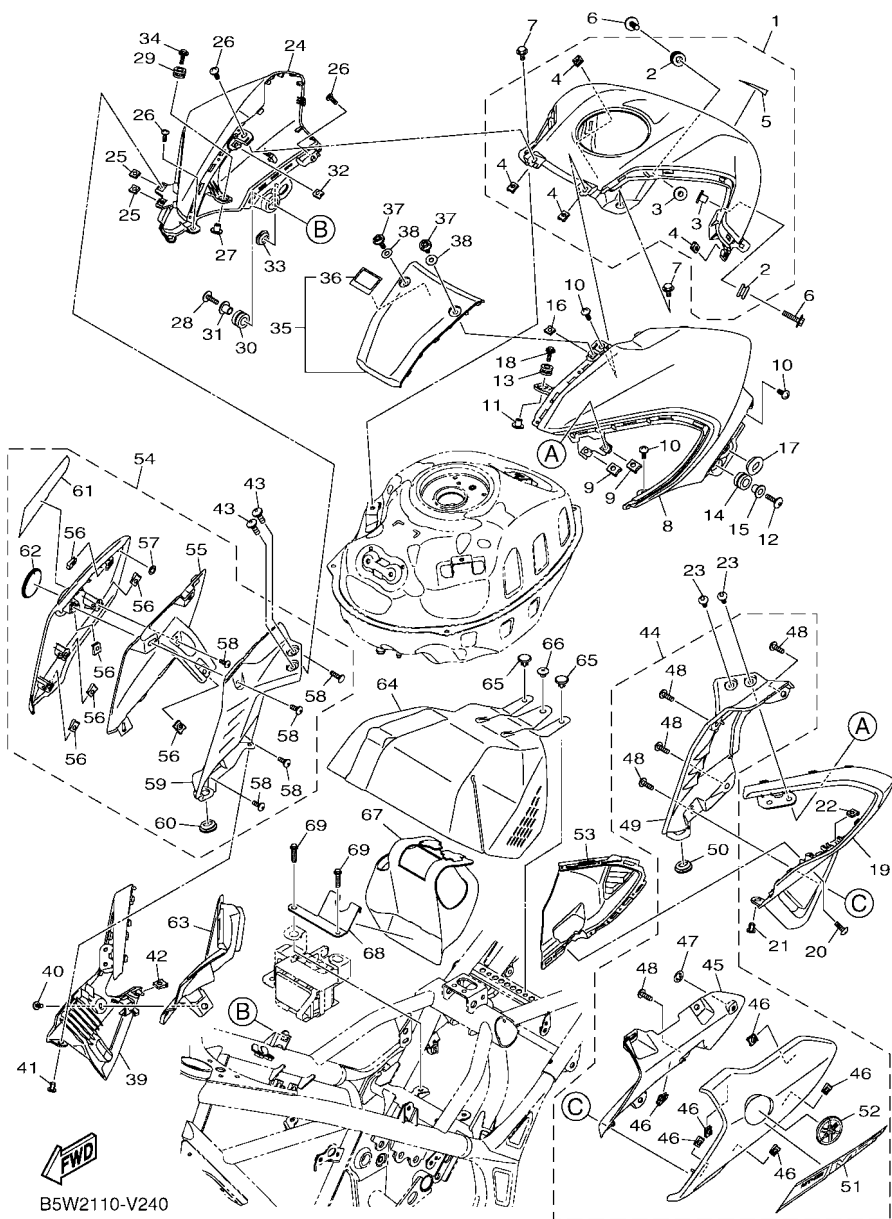


B5W2110-V240

FIG. 24 FUEL TANK 2

REF. NO.	PART NO.	DESCRIPTION	BDA1		REMARKS
24	B9T-F4139-00-P1	COVER, SIDE 2	1		UR FOR MLNM4
25	90183-05807	NUT, SPRING	2		
26	97702-50016	SCREW, TAPPING	3		
27	90387-06899	COLLAR	1		
28	90110-06087	BOLT, HEXAGON SOCKET HEAD	1		
29	90480-12808	GROMMET	1		
30	90480-17007	GROMMET	1		
31	90387-10107	COLLAR	1		
32	90183-05076	NUT, SPRING	1		
33	90480-01559	GROMMET	1		
34	90119-05020	BOLT, WITH WASHER	1		
35	B9T-XF17D-A1-P0	COVER, TOP	1		UR FOR DPBMC
	B9T-XF17D-A1-P1	COVER, TOP	1		UR FOR MLNM4
36	26P-21568-11	.LABEL, WARNING	1		
37	90111-05056	BOLT, HEX. SOCKET BUTTON	2		
38	90202-05180	WASHER, PLATE	2		
39	B9T-F838R-00	DUCT 2	1		
40	90160-05009	SCREW, ROUND TAPPING	1		
41	90269-06816	RIVET	1		
42	90183-05807	NUT, SPRING	1		
43	90160-05009	SCREW, ROUND TAPPING	2		
44	B9T-XF137-01-P0	SCOOP & GUIDE AIR 1	1		UR FOR DPBMC
	B9T-XF137-01-P1	SCOOP & GUIDE AIR 1	1		UR FOR MLNM4
45	B9T-F836K-00	.PANEL, INNER 1	1		
46	90183-05807	.NUT, SPRING	6		
47	90183-05M02	.NUT, SPRING	1		
48	97707-50016	.SCREW, TRUSS HEAD TAPPING	5		

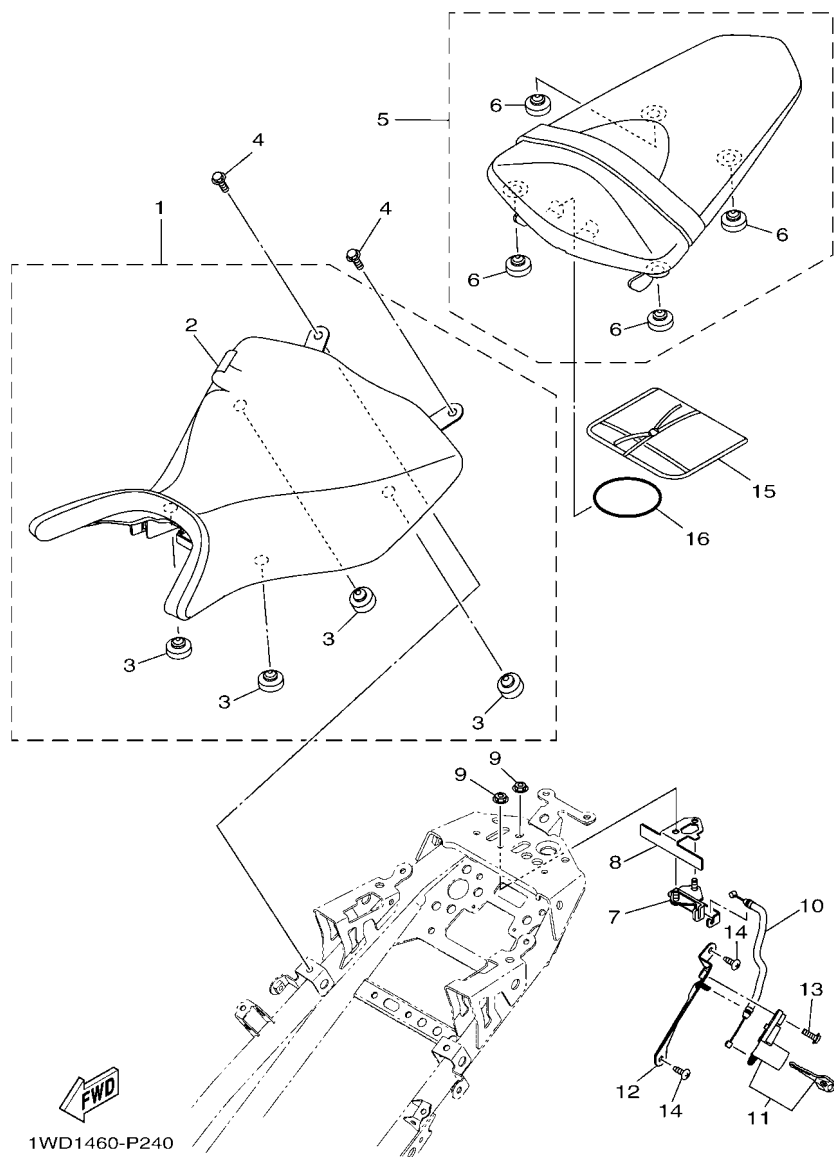
**FIG. 24 FUEL TANK 2**



B5W2110-V240

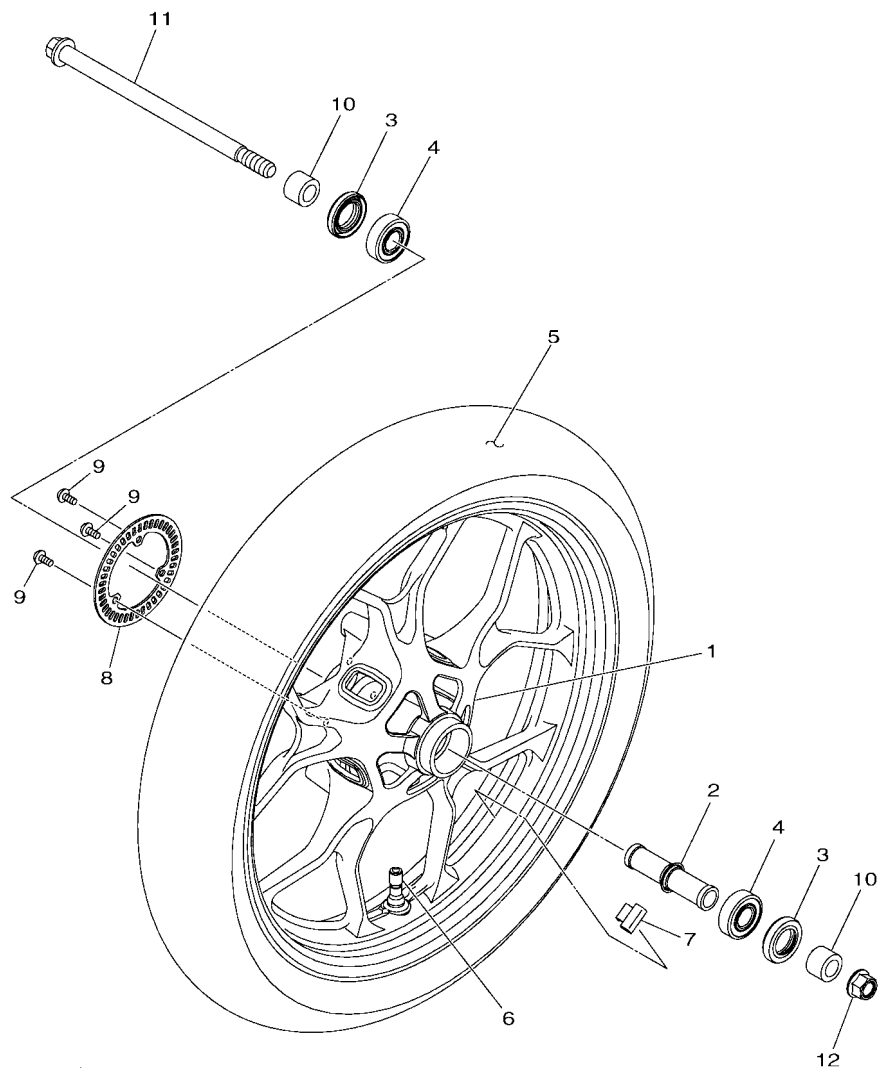
REF. NO.	PART NO.	DESCRIPTION	BDA1	REMARKS
49	B9T-F137K-00	.GUIDE, AIR 3	1	
50	90480-01559	.GROMMET	1	
51	B9T-F8391-01	.GRAPHIC 1	1	UR FOR DPBMC
	B9T-F8391-11	.GRAPHIC 1	1	UR FOR MLNM4
52	1WD-F413B-00	.EMBLEM	1	
53	B9T-F837N-00	GRILL, AIR INTAKE 1	1	
54	B9T-XF13A-01-P0	SCOOP & GUIDE AIR 2	1	UR FOR DPBMC
	B9T-XF13A-01-P1	SCOOP & GUIDE AIR 2	1	UR FOR MLNM4
55	B9T-F836L-00	.PANEL, INNER 2	1	
56	90183-05807	.NUT, SPRING	6	
57	90183-05M02	.NUT, SPRING	1	
58	97707-50016	.SCREW, TRUSS HEAD TAPPING	5	
59	B9T-F137L-00	.GUIDE, AIR 4	1	
60	90480-01559	.GROMMET	1	
61	B9T-F8392-01	.GRAPHIC 2	1	UR FOR DPBMC
	B9T-F8392-11	.GRAPHIC 2	1	UR FOR MLNM4
62	1WD-F413B-00	.EMBLEM	1	
63	B9T-F837R-00	GRILL, AIR INTAKE 2	1	
64	B04-E449E-00	COVER, AIR CLEANER	1	
65	90269-07076	RIVET	2	
66	90269-09001	RIVET	1	
67	B04-F1642-00	GUARD, FLAP	1	
68	B04-F1533-00	STAY, FLAP	1	
69	95022-06025	BOLT, FLANGE	2	

**FIG. 25 SEAT**



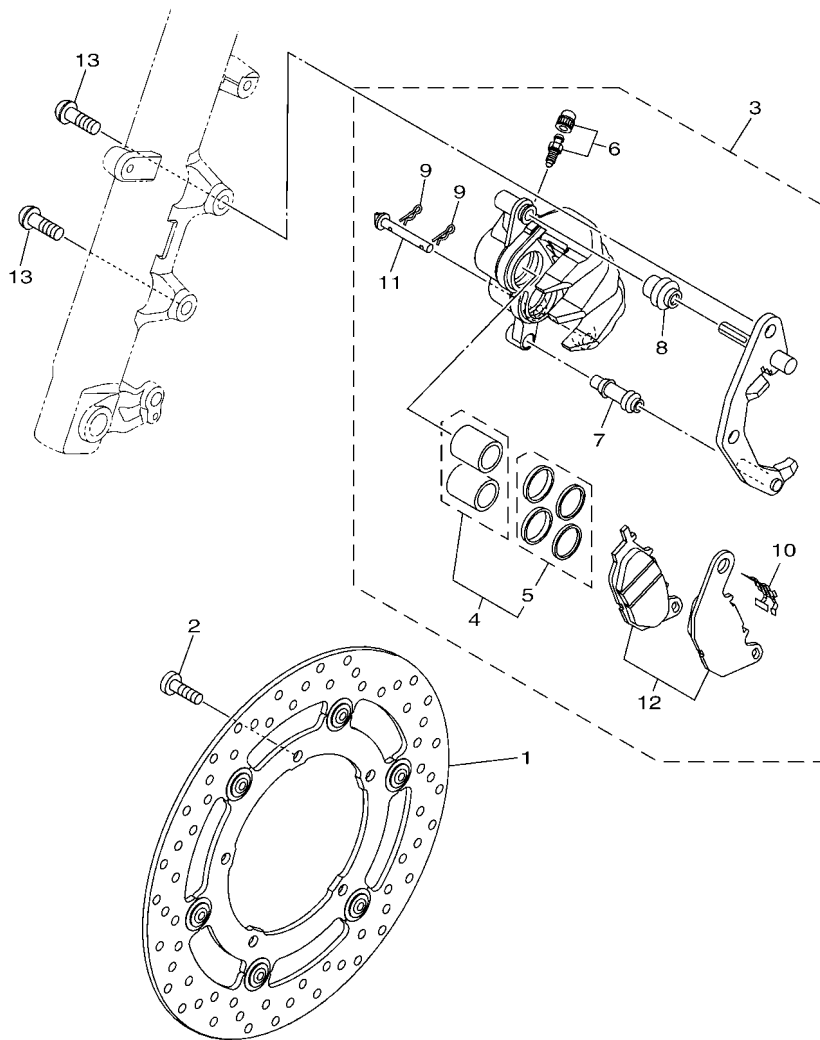
REF. NO.	PART NO.	DESCRIPTION	BDA1				REMARKS
1	1WD-F4710-02	SINGLE SEAT ASSY	1				
2	1WD-F4711-01	.COVER, SINGLE SEAT	1				
3	5BP-F4741-00	.PAD, SEAT	4				
4	95022-06012	BOLT, FLANGE	2				
5	1WD-F4750-01	TANDEM SEAT ASSY	1				
6	3C1-F4741-00	.PAD, SEAT	4				
7	1WD-F4780-00	SEAT LOCK ASSY	1				
8	1WD-F4792-00	PLATE	1				
9	95707-06500	NUT, FLANGE	2				
10	1WD-F478E-00	CABLE, SEAT LOCK	1				
11	1WD-WF479-00	ROTOR SUB ASSY WITH KEY	1				
12	1WD-F117K-00	STAY, LOCK	1				
13	90159-06054	SCREW, WITH WASHER	1				
14	97702-50016	SCREW, TAPPING	2				
15	B9T-F8100-00	TOOL KIT	1				
16	5TL-H2131-00	BAND, BATTERY	1				

**FIG. 26 FRONT WHEEL**



B4W2010-V260

REF. NO.	PART NO.	DESCRIPTION	BDA1				REMARKS
1	2WD-F5168-03-P0	CAST WHEEL, FRONT	1				UR FOR DPBMC
	2WD-F5168-03-P1	CAST WHEEL, FRONT	1				UR FOR MLNM4
2	1WD-F510C-01	COLLAR ASSY.	1				
3	93106-26815	OIL SEAL	2				
4	93306-302X4	BEARING	2				
5	94111-17801	TIRE (110/70-17M/C 54S RX-01F)	1				INOUE
6	93900-00828	VALVE, RIM	1				
7	5MT-25398-00	BALANCER, WHEEL (10G)	1				UN
	5MT-25398-10	BALANCER, WHEEL (20G)	1				UN
	5MT-25398-20	BALANCER, WHEEL (30G)	1				UN
8	2DP-F517G-00	ROTOR, SENSOR	1				
9	90149-05029	SCREW	3				
10	1PA-F5386-00	COLLAR, SPROCKET AXLE	2				
11	1WD-25181-00	AXLE, WHEEL	1				
12	95602-14200	NUT, SELF-LOCKING	1				

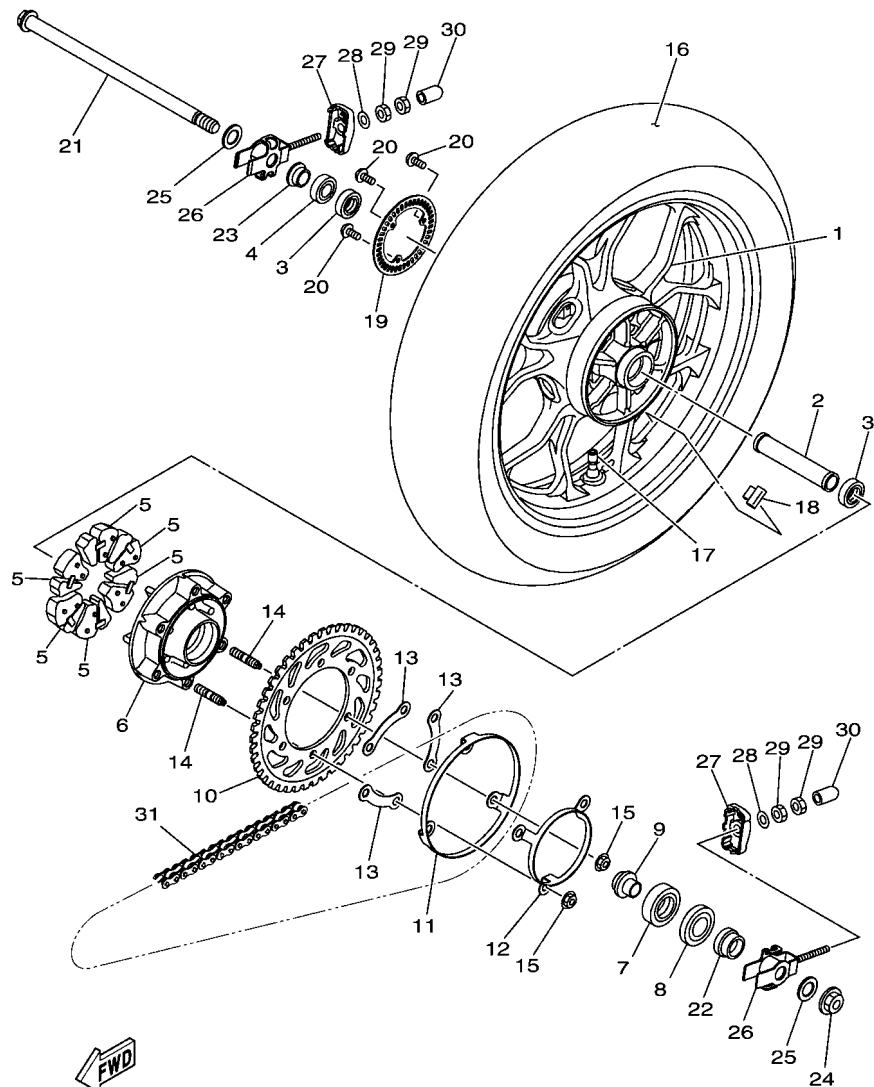


1WD1460-P260

**FIG. 27 FRONT BRAKE CALIPER**

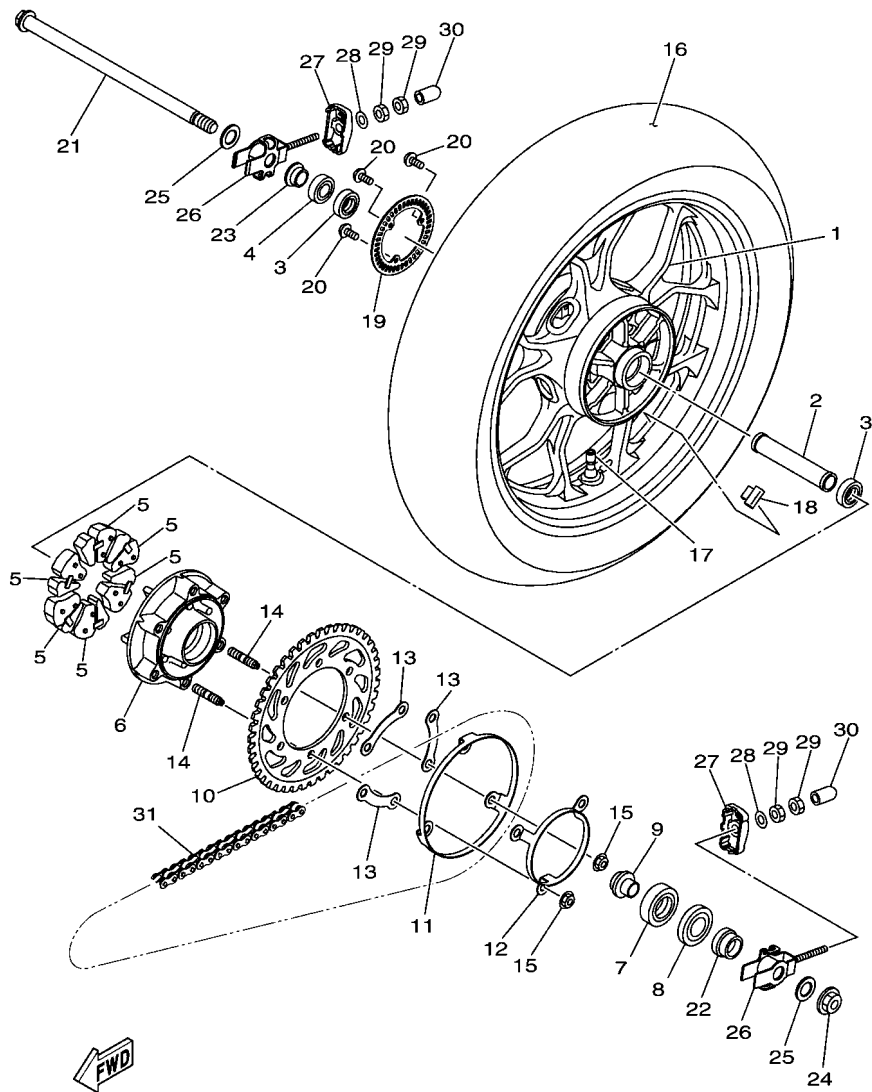
REF. NO.	PART NO.	DESCRIPTION	BDA1				REMARKS
1	1WD-F581U-01	DISK BRAKE ASSY (RIGHT)	1				
2	90111-08087	BOLT,HEX. SOCKET BUTTON	5				
3	1WD-F580U-01	CALIPER ASSY (RIGHT)	1				
4	1WD-25802-00	.PISTON ASSY, CALIPER	1				
5	1WD-25803-00	..CALIPER SEAL KIT	1				
6	4C9-W0048-00	..BLEED SCREW KIT	1				
7	5YP-F5937-00	..BOOT 2	1				
8	5YP-F5917-00	..BOOT, CALIPER	1				
9	5YP-F5925-01	..CLIP	2				
10	1WD-F5919-00	..SUPPORT, PAD	1				
11	5YP-F5924-00	..PIN, PAD	1				
12	1WD-25805-00	..BRAKE PAD KIT	1				
13	90149-10044	SCREW	2				

**FIG. 28 REAR WHEEL**



2WD2460-P271

REF. NO.	PART NO.	DESCRIPTION	BDA1		REMARKS
1	2WD-F5338-03-P0	CAST WHEEL, REAR	1		UR FOR DPBMC
	2WD-F5338-03-P1	CAST WHEEL, REAR	1		UR FOR MLNM4
2	90387-17810	COLLAR	1		
3	93306-20314	BEARING	2		
4	93106-23002	OIL SEAL	1		
5	1WD-F5364-00	DAMPER	6		
6	1WD-F5366-00-P1	CLUTCH, HUB	1		UR FOR DPBMC
	1WD-F5366-00-P3	CLUTCH, HUB	1		UR FOR MLNM4
7	93306-30450	BEARING	1		
8	93106-38046	OIL SEAL	1		
9	1WD-F5377-00	COLLAR, WHEEL	1		
10	1WD-F5443-00	SPROCKET, DRIVEN (43T)	1		
11	1WD-F537W-00	BRACKET 1	1		
12	1WD-F537X-00	BRKT 2	1		
13	1WD-F539F-00	PLATE 1	3		
14	90116-10065	BOLT, STUD	6		
15	95602-10200	NUT, S/L FLANGE	6		
16	94114-17802	TIRE (140/70-17M/C 66S RX-01R)	1		INOUE
17	93900-00828	VALVE, RIM	1		
18	5MT-25398-00	BALANCER, WHEEL (10G)	1		UN
	5MT-25398-10	BALANCER, WHEEL (20G)	1		UN
	5MT-25398-20	BALANCER, WHEEL (30G)	1		UN
19	2DP-F517G-00	ROTOR, SENSOR	1		
20	90149-05029	SCREW	3		
21	1WD-25381-00	AXLE, WHEEL	1		
22	1WD-F5386-00	COLLAR, SPROCKET AXLE	1		
23	1WD-F5383-00	COLLAR, WHEEL	1		

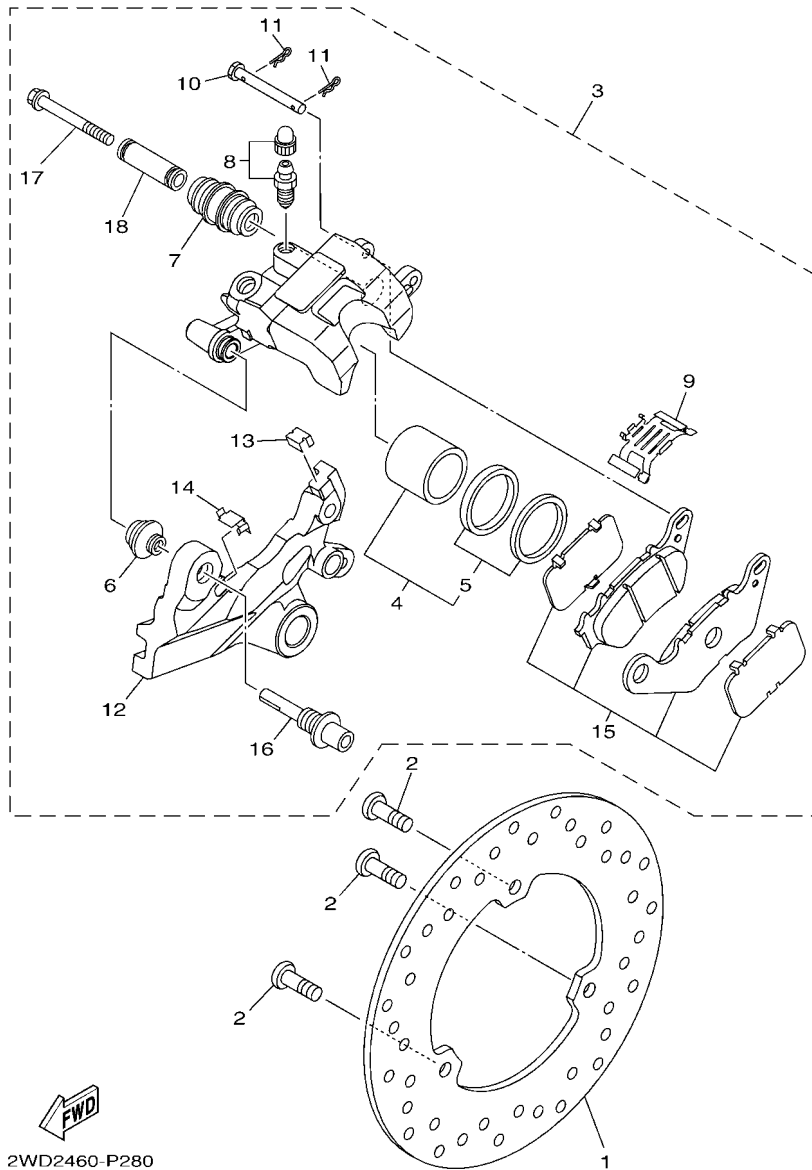


2WD2460-P271

FIG. 28 REAR WHEEL

REF. NO.	PART NO.	DESCRIPTION	BDA1					REMARKS
24	95602-16200	NUT, SELF-LOCKING	1					
25	90201-17809	WASHER, PLATE	2					
26	1WD-F5388-00	PULLER, CHAIN 1	2					
27	1WD-F2174-00	END 1	2					
28	92902-08600	WASHER, PLATE	2					
29	95302-08600	NUT, HEXAGON	4					
30	40D-E443G-00	PIPE, DRAIN 2	2					
31	94568-H3112	CHAIN (DID520VF 112LE)	1					



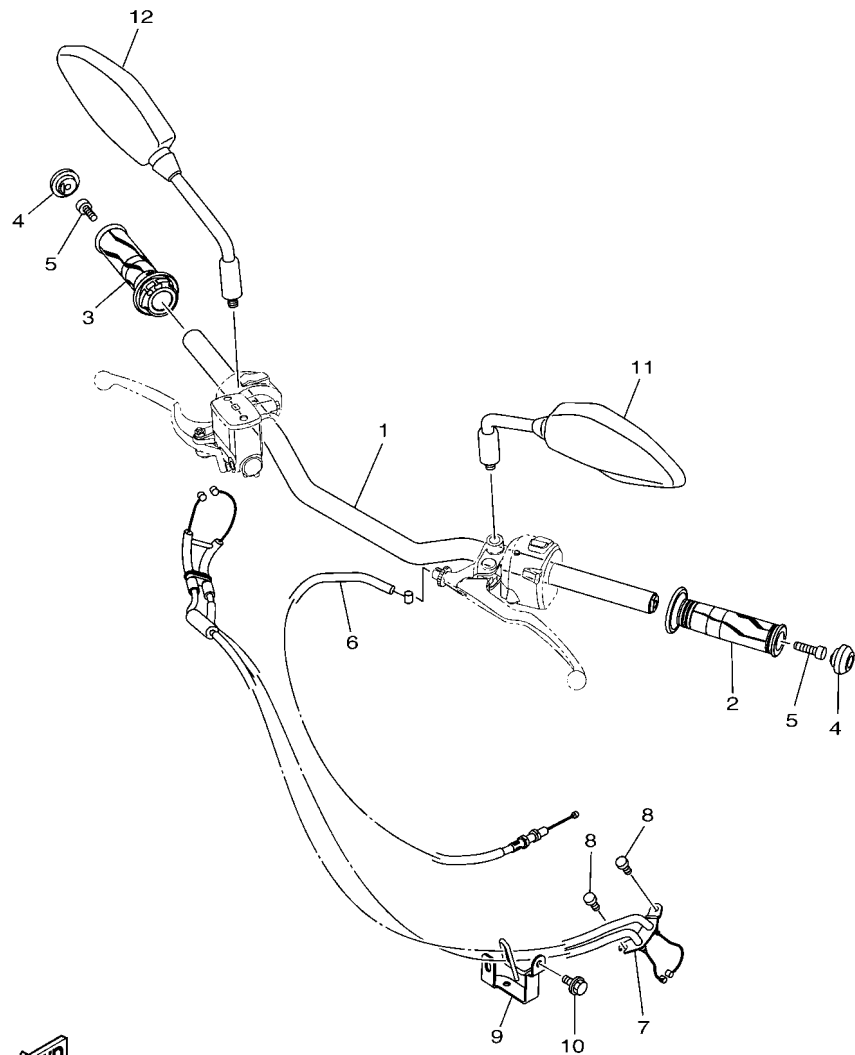


2WD2460-P280

**FIG. 29 REAR BRAKE CALIPER**

REF. NO.	PART NO.	DESCRIPTION	BDA1				REMARKS
1	1WD-F582W-00	DISK, REAR BRAKE 2	1				
2	90111-08087	BOLT,HEX. SOCKET BUTTON	3				
3	2WD-F580W-00	CALIPER ASSY, REAR 2	1				
4	1WD-25802-50	.PISTON ASSY, CALIPER	1				
5	1WD-25803-50	..CALIPER SEAL KIT	1				
6	5YP-F5917-00	.BOOT, CALIPER	1				
7	34X-25937-00	.BOOT 2	1				
8	5YP-W0048-50	.BLEED SCREW KIT	1				
9	1WD-F5919-50	.SUPPORT, PAD	1				
10	1WD-F5924-50	.PIN, PAD	1				
11	5YP-F5925-01	.CLIP	2				
12	2WD-F5921-50	.BRACKET, SUPPORT	1				
13	1WD-F5939-51	.CLIP, PAD	1				
14	1WD-F5939-61	.CLIP, PAD	1				
15	1WD-25806-00	.BRAKE PAD KIT 2	1				
16	1WD-F5914-50	.PIN, SLIDE	1				
17	5KN-25926-01	.BOLT	1				
18	5TL-F5838-00	.SLEEVE, CALIPER	1				

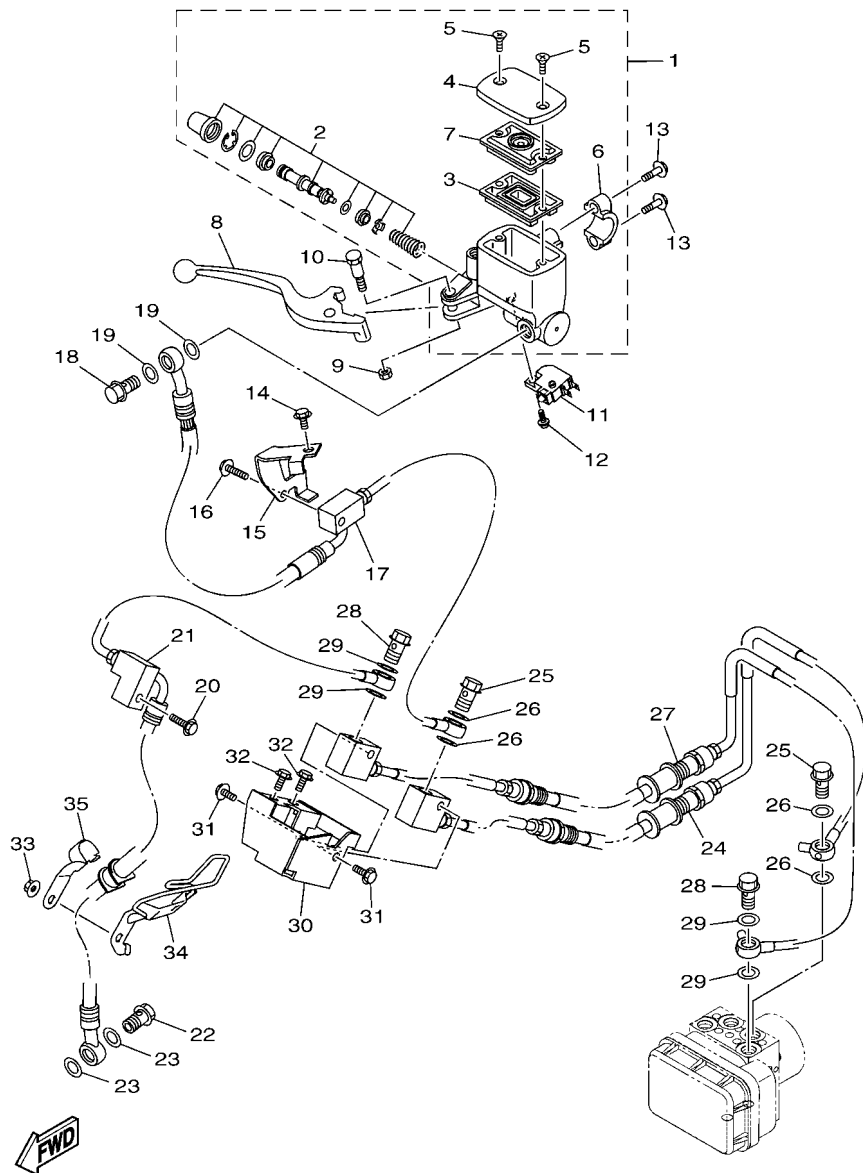
**FIG. 30 STEERING HANDLE & CABLE**



**FWD**  
B9T1460-V300

REF. NO.	PART NO.	DESCRIPTION	BDA1				REMARKS
1	B9T-F6111-00	HANDLEBAR	1				
2	2DP-F6241-00	GRIP	1				
3	2DP-F6240-00	GRIP ASSY	1				
4	1WD-F6246-00	END, GRIP	2				
5	91317-06020	BOLT,HEX.SOCKET HEAD	2				
6	B9T-F6335-00	WIRE, CLUTCH	1				
7	B6W-F6301-00	THROTTLE CABLE ASSY	1				
8	91312-05010	BOLT, HEXAGON SOCKET HEAD	2				
9	B9T-F6315-00	GUIDE, WIRE	1				
10	95802-06010	BOLT, FLANGE	1				
11	B9T-F6280-00	REAR VIEW MIRROR ASSY (LEFT)	1				
12	B9T-F6290-00	REAR VIEW MIRROR ASSY (RIGHT)	1				

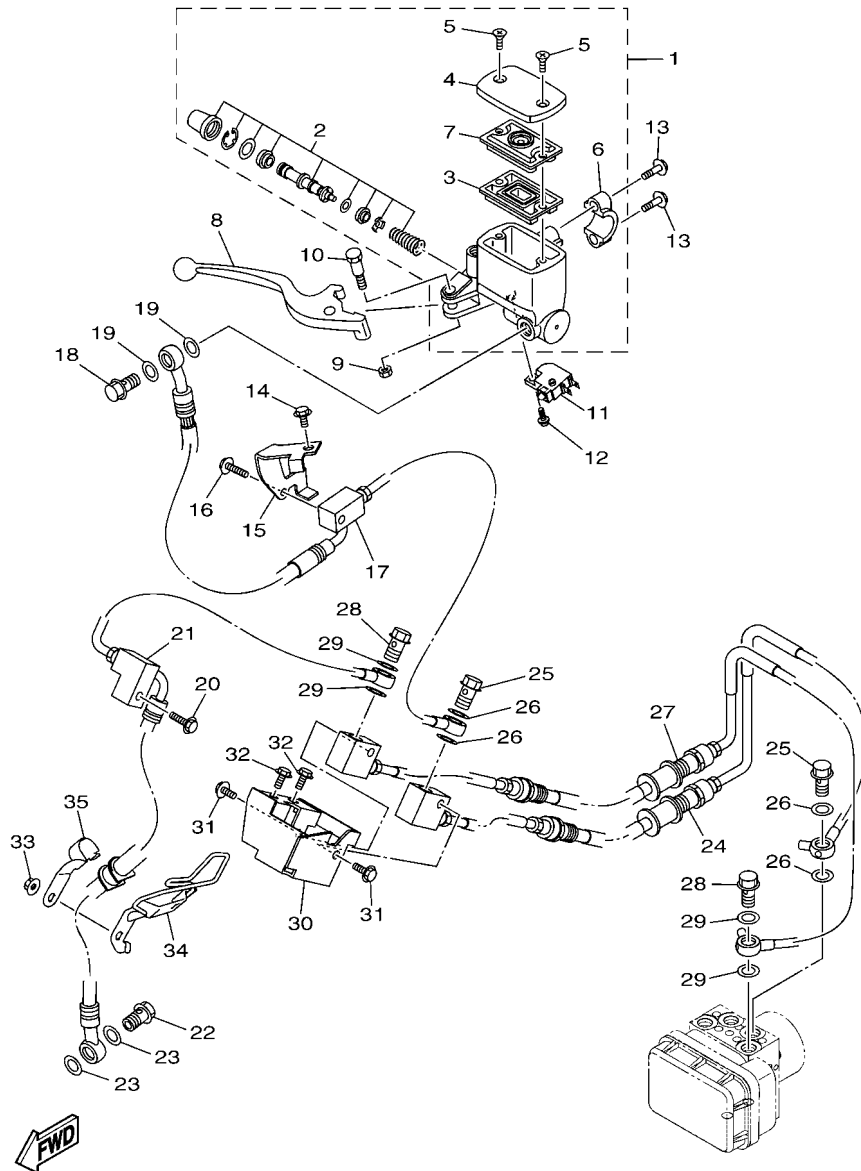
**FIG. 31 FRONT MASTER CYLINDER**



B6W1431-V310

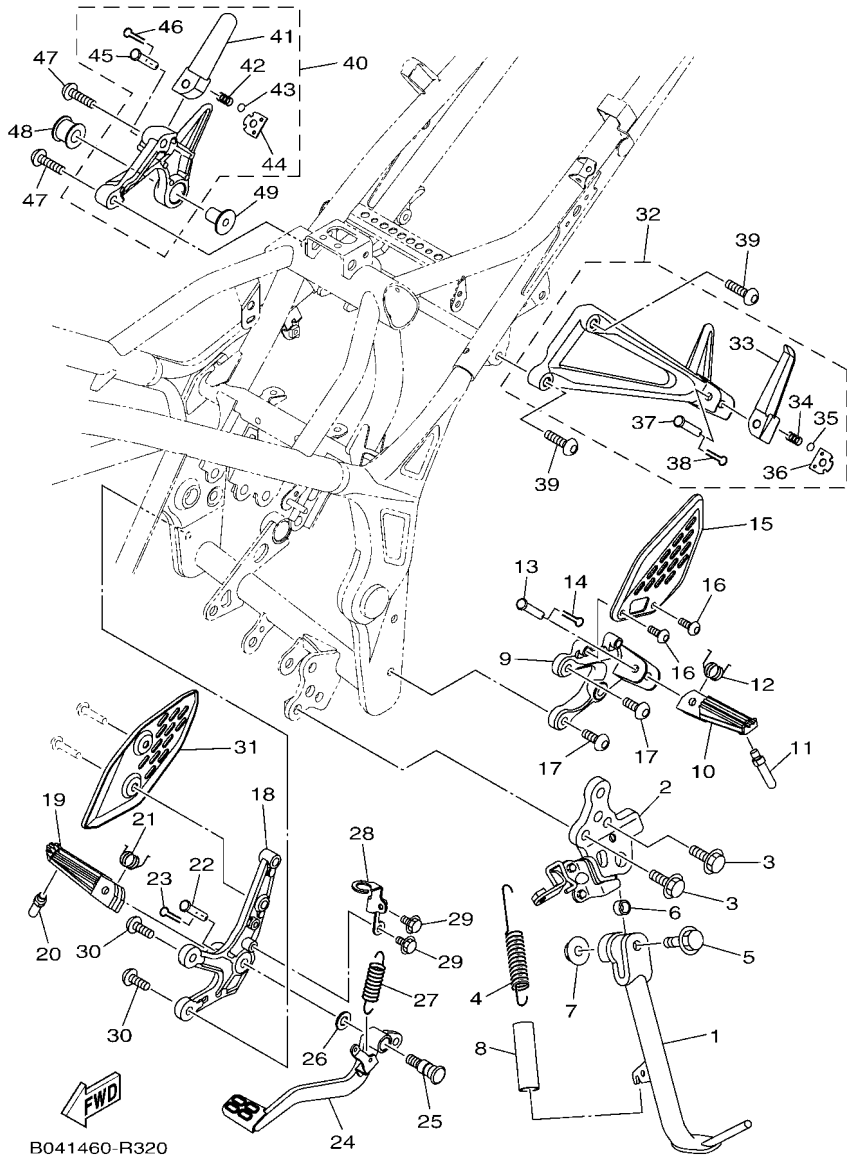
REF. NO.	PART NO.	DESCRIPTION	BDA1				REMARKS
1	1WD-F5870-00	MASTER CYLINDER SUB ASSY	1				
2	1WD-F5807-00	.CYLINDER KIT, MASTER	1				
3	5RB-25854-00	.DIAPHRAGM, RESERVOIR	1				
4	1WD-F5852-00	.CAP, RESERVOIR	1				
5	36Y-2589H-00	.SCREW	2				
6	3RW-F5867-00	.BRACKET, MASTER CYLINDER	1				
7	3C1-F5855-00	.BUSH,DIAPHRAGM	1				
8	1WD-H3922-00	LEVER 2	1				
9	95602-06100	NUT, SELF-LOCKING	1				
10	90109-06577	BOLT	1				
11	2DP-H3980-00	FRONT STOP SWITCH ASSY	1				
12	97602-04212	SCREW, PAN HEAD WITH WASHER	1				
13	95027-06025	BOLT, FLANGE	2				
14	95D02-06012	BOLT, FLANGE DEEP RECESS	1				
15	2WD-F588F-00	HOLDER, BRAKE HOSE 5	1				
16	95022-06020	BOLT, FLANGE	1				
17	B6W-F5872-00	HOSE, BRAKE 1	1				
18	90401-10812	BOLT, UNION	1				
19	90201-10118	WASHER, PLATE	2				
20	95022-06020	BOLT, FLANGE	1				
21	B6W-F581J-00	HOSE, BRAKE 4	1				
22	90401-10812	BOLT, UNION	1				
23	90201-10118	WASHER, PLATE	2				
24	2WD-F5873-00	HOSE, BRAKE 2	1				
25	90401-10812	BOLT, UNION	2				
26	90201-10118	WASHER, PLATE	4				
27	B5L-F5874-00	HOSE, BRAKE 3	1				

**FIG. 31 FRONT MASTER CYLINDER**



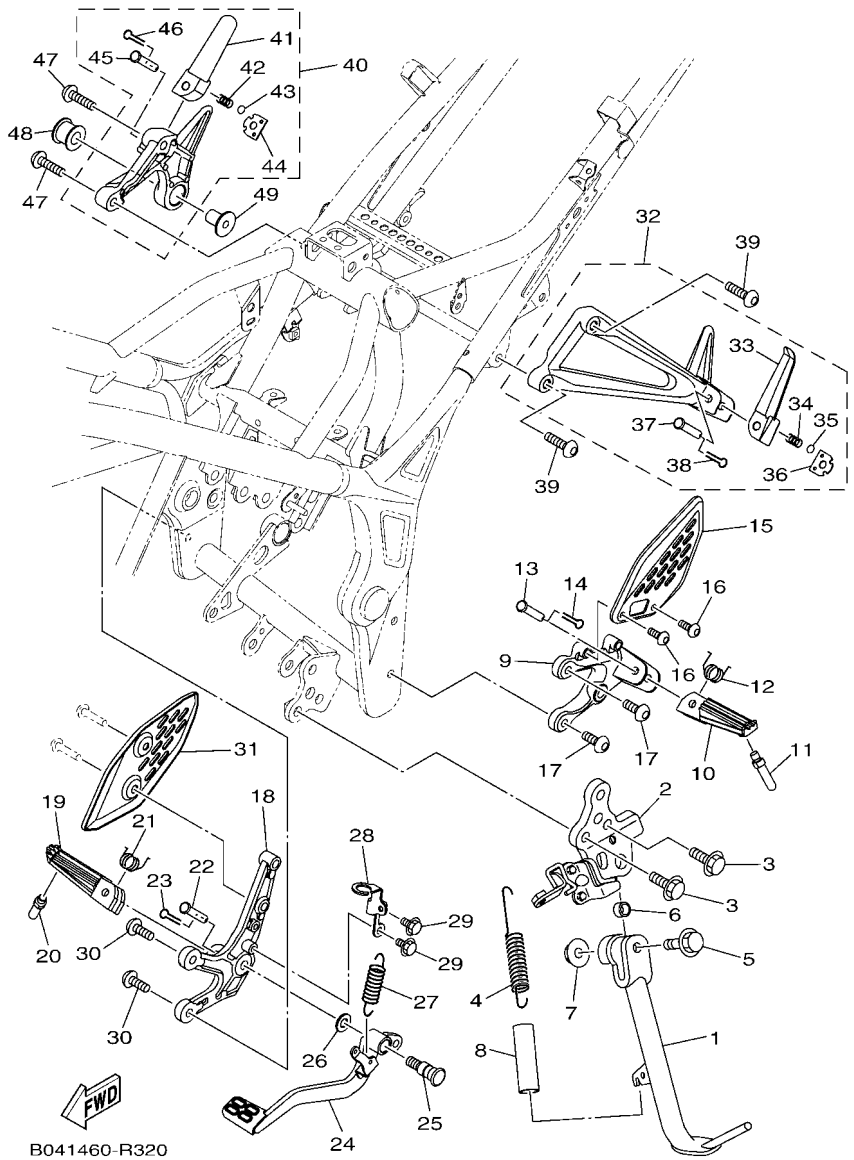
B6W1431-V310

REF. NO.	PART NO.	DESCRIPTION	BDA1				REMARKS
28	90401-10812	BOLT, UNION	2				
29	90201-10118	WASHER, PLATE	4				
30	2WD-F588G-00	HOLDER, BRAKE HOSE 6	1				
31	95027-06012	BOLT, FLANGE	2				
32	95027-06012	BOLT, FLANGE	2				
33	90176-06065	NUT, CROWN	1				
34	B6W-F5887-00	HOLDER, BRAKE HOSE 3	1				
35	B5L-F587A-00	HOLDER, BRAKE HOSE 4	1				



**FIG. 32 STAND & FOOTREST**

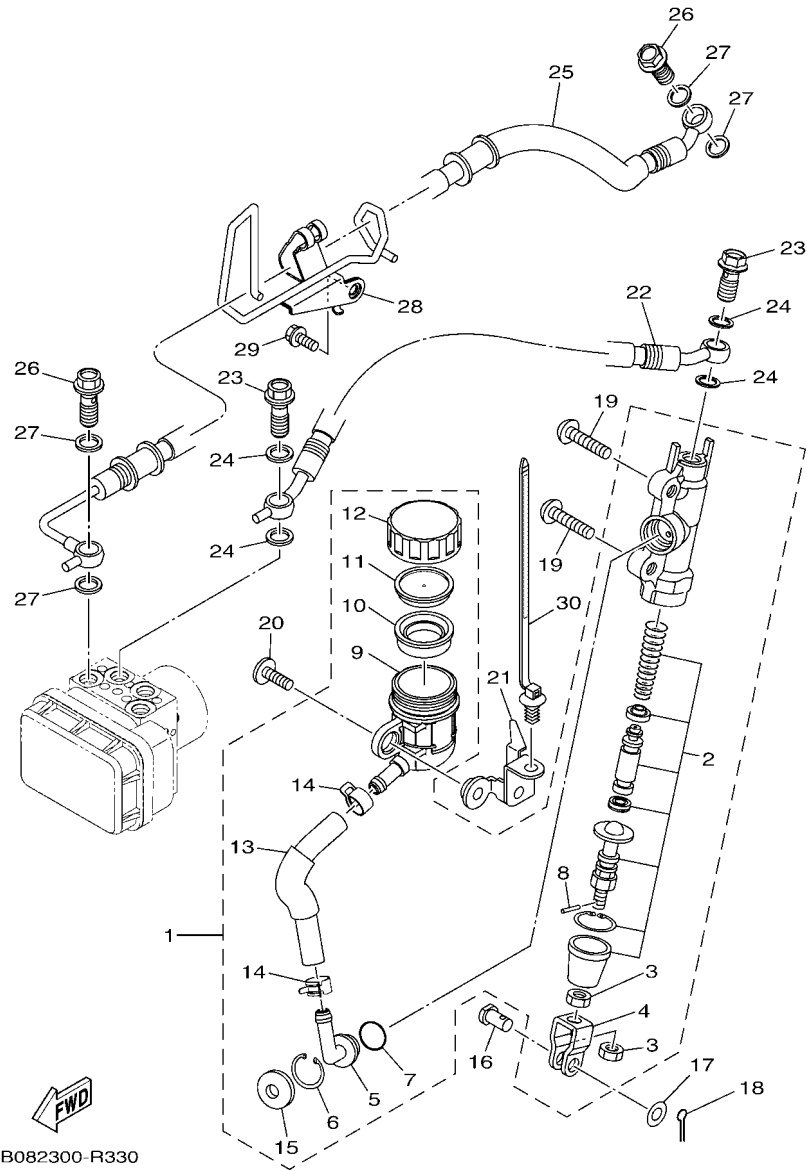
REF. NO.	PART NO.	DESCRIPTION	BDA1				REMARKS
1	1WD-F7311-00	STAND, SIDE	1				
2	B04-F7321-00	BRACKET, SIDE STAND	1				
3	95817-10025	BOLT, FLANGE	2				
4	90506-23812	SPRING, TENSION	1				
5	90105-106A7	BOLT, FLANGE	1				
6	90387-10010	COLLAR	1				
7	95602-10200	NUT, S/L FLANGE	1				
8	90445-217G3	HOSE (L70)	1				
9	1WD-F7442-01	BRACKET 2	1				
10	1WD-F7451-00	FOOTREST	1				
11	1WD-F7435-00	BOLT	1				
12	90508-183B9	SPRING, TORSION	1				
13	90240-08145	PIN, CLEVIS	1				
14	91401-25015	PIN, COTTER	1				
15	1WD-F7445-00	PLATE 1	1				
16	90111-06013	BOLT,HEX. SOCKET BUTTON	2				
17	90109-085G6	BOLT	2				
18	1WD-F7443-00	BRACKET 3	1				
19	1WD-F7461-00	FOOTREST	1				
20	1WD-F7435-00	BOLT	1				
21	90508-183B9	SPRING, TORSION	1				
22	90240-08145	PIN, CLEVIS	1				
23	91401-25015	PIN, COTTER	1				
24	1WD-F7211-00	PEDAL, BRAKE	1				
25	4BP-27261-00	SHAFT	1				
26	90201-10021	WASHER, PLATE	1				
27	90506-26807	SPRING, TENSION	1				



B041460-R320

**FIG. 32 STAND & FOOTREST**

REF. NO.	PART NO.	DESCRIPTION	BDA1				REMARKS
28	1WD-F144G-00	STAY, STOP SWITCH	1				
29	95802-06010	BOLT, FLANGE	2				
30	90109-085G6	BOLT	2				
31	1WD-F7446-00	PLATE 2	1				
32	1WD-F7430-01	REAR FOOTREST ASSY 1	1				
33	1WD-F7431-01	.FOOTREST, REAR 1	1				
34	90501-12743	.SPRING, COMPRESSION	1				
35	93501-04830	.BALL	1				
36	1WD-F7437-00	.WASHER, SPECIAL	1				
37	90240-08145	.PIN, CLEVIS	1				
38	91401-25015	.PIN, COTTER	1				
39	90110-08071	BOLT, HEXAGON SOCKET HEAD	2				
40	1WD-F7440-01	REAR FOOTREST ASSY 2	1				
41	1WD-F7441-01	.FOOTREST, REAR 2	1				
42	90501-12743	.SPRING, COMPRESSION	1				
43	93501-04830	.BALL	1				
44	1WD-F7437-00	.WASHER, SPECIAL	1				
45	90240-08145	.PIN, CLEVIS	1				
46	91401-25015	.PIN, COTTER	1				
47	90110-08071	BOLT, HEXAGON SOCKET HEAD	2				
48	5TP-E4747-00	DAMPER, MUFFLER	1				
49	90387-08813	COLLAR	1				



B082300-R330

**FIG. 33 REAR MASTER CYLINDER**

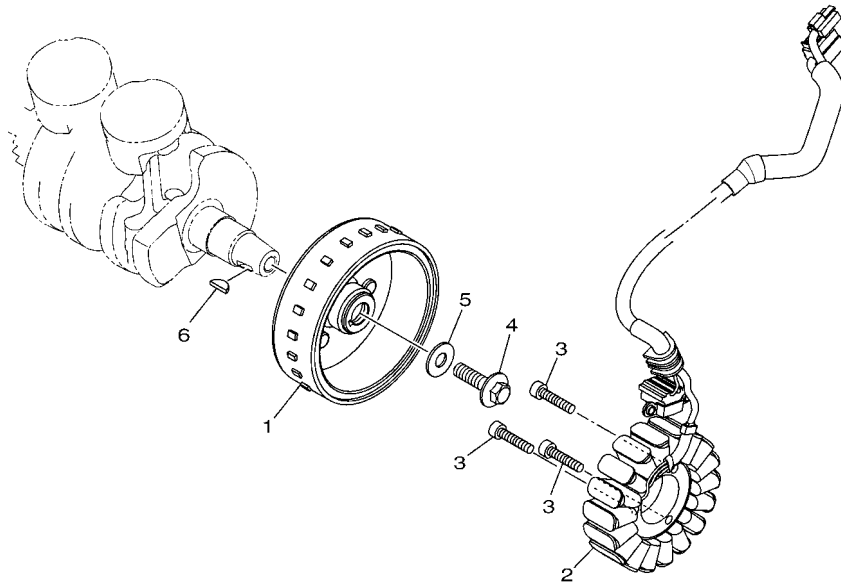
REF. NO.	PART NO.	DESCRIPTION	BDA1				REMARKS
1	1WD-F580E-00	REAR MASTER CYLINDER ASSY	1				
2	1WD-F5808-00	.CYLINDER KIT, MASTER	1				
3	4SS-27218-00	.NUT	2				
4	50C-F7222-00	.JOINT	1				
5	50C-F582A-50	.JOINT	1				
6	50C-F5866-00	.CIRCLIP	1				
7	93210-15620	.O-RING	1				
8	3KW-27234-00	.PIN, BRAKE ROD	1				
9	50C-F5894-10	.TANK, RESERVOIR	1				
10	2VN-F5854-00	.DIAPHRAGM, RESERVOIR	1				
11	50C-F5855-00	.BUSH,DIAPHRAGM	1				
12	1WD-F5852-50	.CAP, RESERVOIR	1				
13	1WD-F5895-50	.HOSE, RESERVOIR	1				
14	90467-12085	.CLIP	2				
15	50C-F589A-00	.COVER, DUST	1				
16	90240-08124	PIN, CLEVIS	1				
17	90201-08083	WASHER, PLATE	1				
18	91401-20012	PIN, COTTER	1				
19	92012-08030	BOLT, BUTTON HEAD	2				
20	90111-06121	BOLT,HEX. SOCKET BUTTON	1				
21	B04-F582E-00	HOLDER, RESERVE TANK	1				
22	2WD-F581K-00	HOSE, BRAKE 5	1				
23	90401-10812	BOLT, UNION	2				
24	90201-10118	WASHER, PLATE	4				
25	2WD-F582J-00	HOSE, BRAKE 6	1				
26	90401-10812	BOLT, UNION	2				
27	90201-10118	WASHER, PLATE	4				





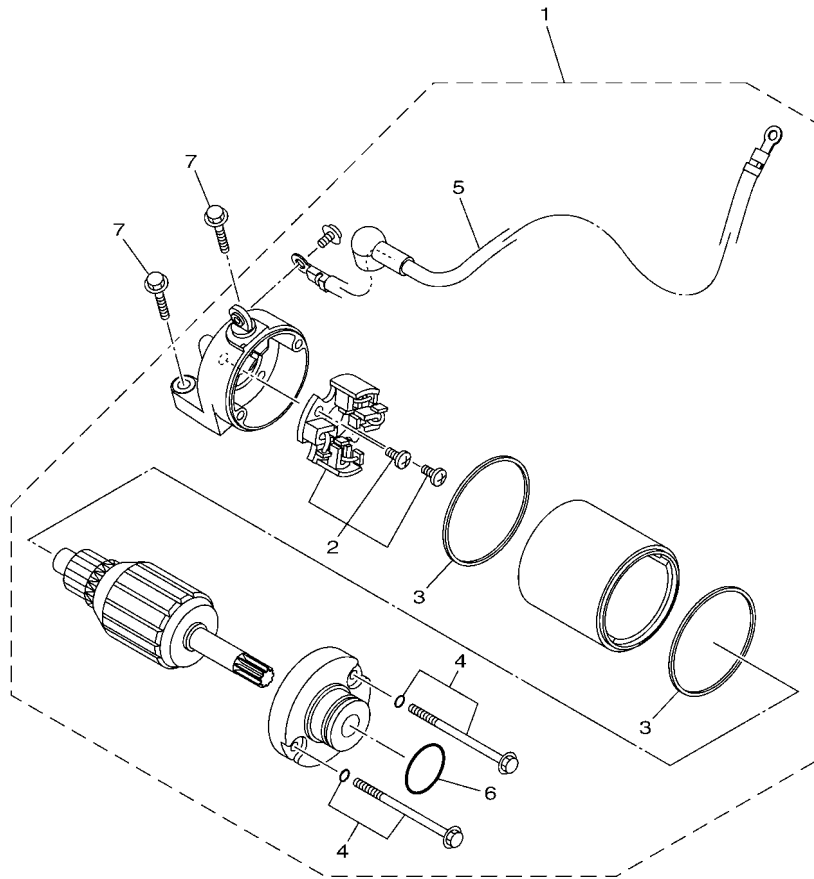
**FIG. 34 GENERATOR**

REF. NO.	PART NO.	DESCRIPTION	BDA1				REMARKS
1	BR5-H1450-00	ROTOR ASSY	1				
2	BS7-H1410-00	STATOR ASSY	1				
3	91312-06030	BOLT, HEXAGON SOCKET HEAD	3				
4	90105-10883	BOLT, FLANGE	1				
5	90201-10848	WASHER, PLATE	1				
6	90280-05013	KEY, WOODRUFF	1				



B6P2516-U350

**FIG. 35 STARTING MOTOR**

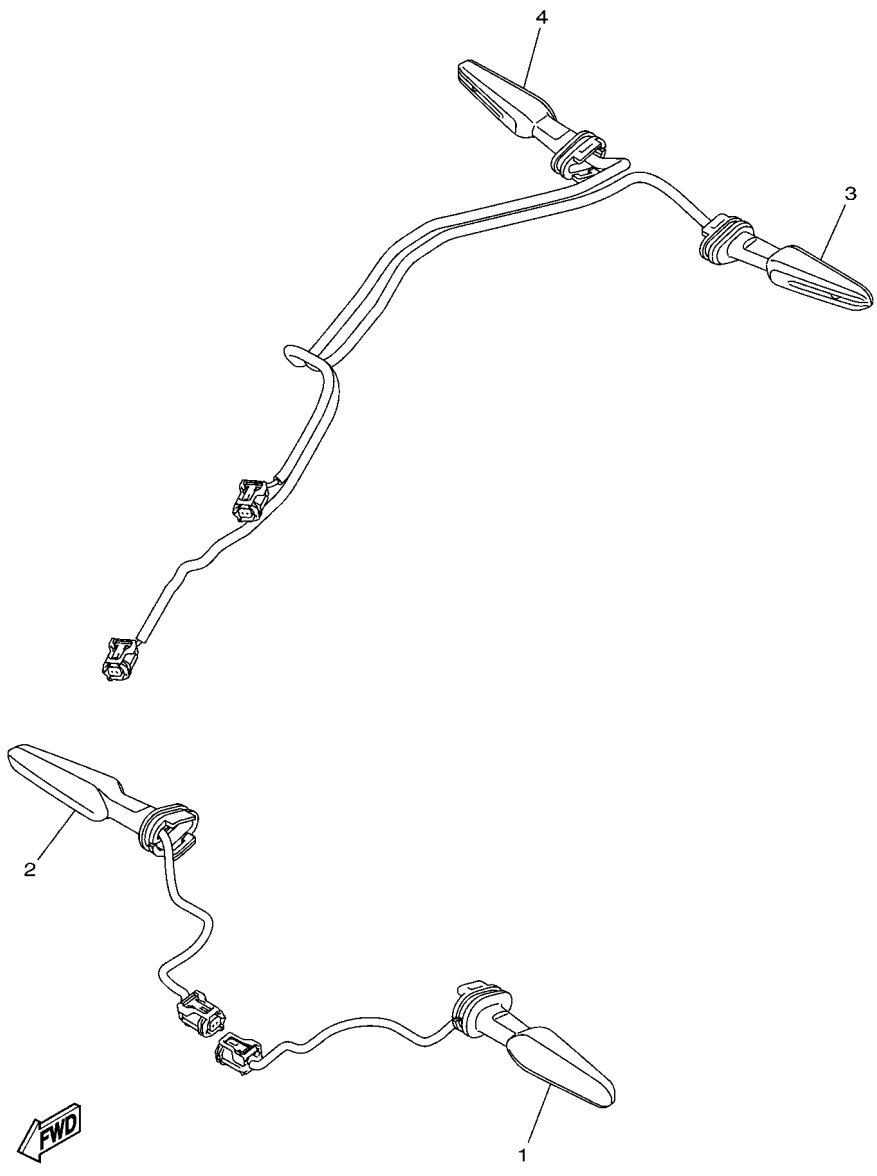


REF. NO.	PART NO.	DESCRIPTION	BDA1				REMARKS
1	1WD-H1800-00	STARTING MOTOR ASSY	1				
2	1WD-H1801-00	.BRUSH SET	1				
3	1WD-H1861-00	.GASKET	2				
4	1WD-H1828-00	.BOLT 2	2				
5	1WD-H183G-00	.CORD COMP.	1				
6	4FP-H182L-00	.O-RING 1	1				
7	95022-06025	BOLT, FLANGE	2				

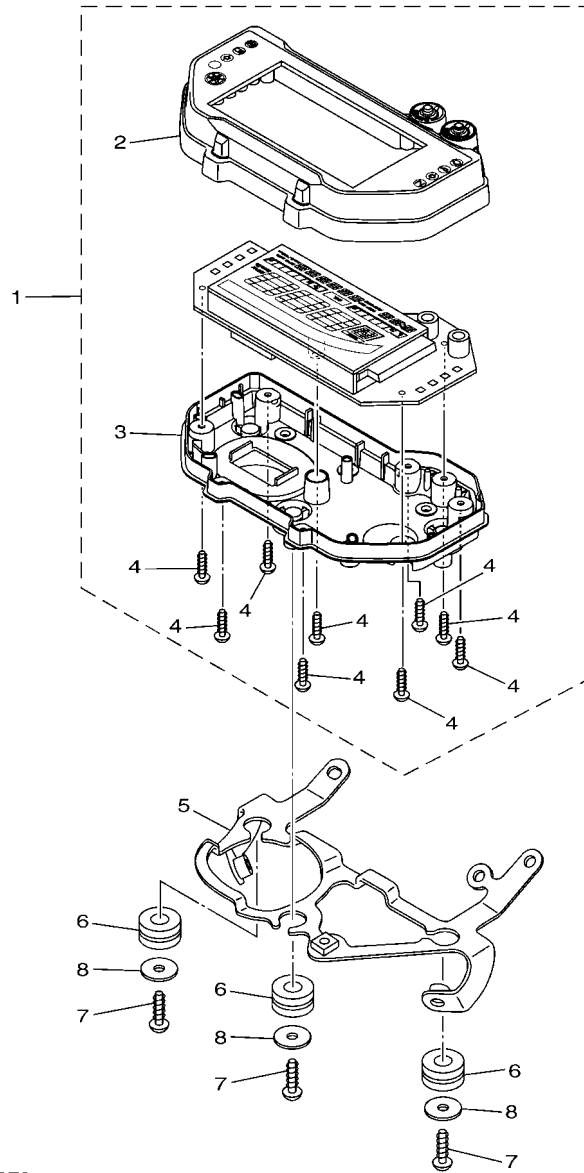
  
1WD1460-P360

**FIG. 36 FLASHER LIGHT**

REF. NO.	PART NO.	DESCRIPTION	BDA1				REMARKS
1	B9T-H3310-00	FRONT FLASHER LIGHT ASSY 1	1				
2	B9T-H3320-00	FRONT FLASHER LIGHT ASSY 2	1				
3	B9T-H3330-00	REAR FLASHER LIGHT ASSY 1	1				
4	B9T-H3340-00	REAR FLASHER LIGHT ASSY 2	1				



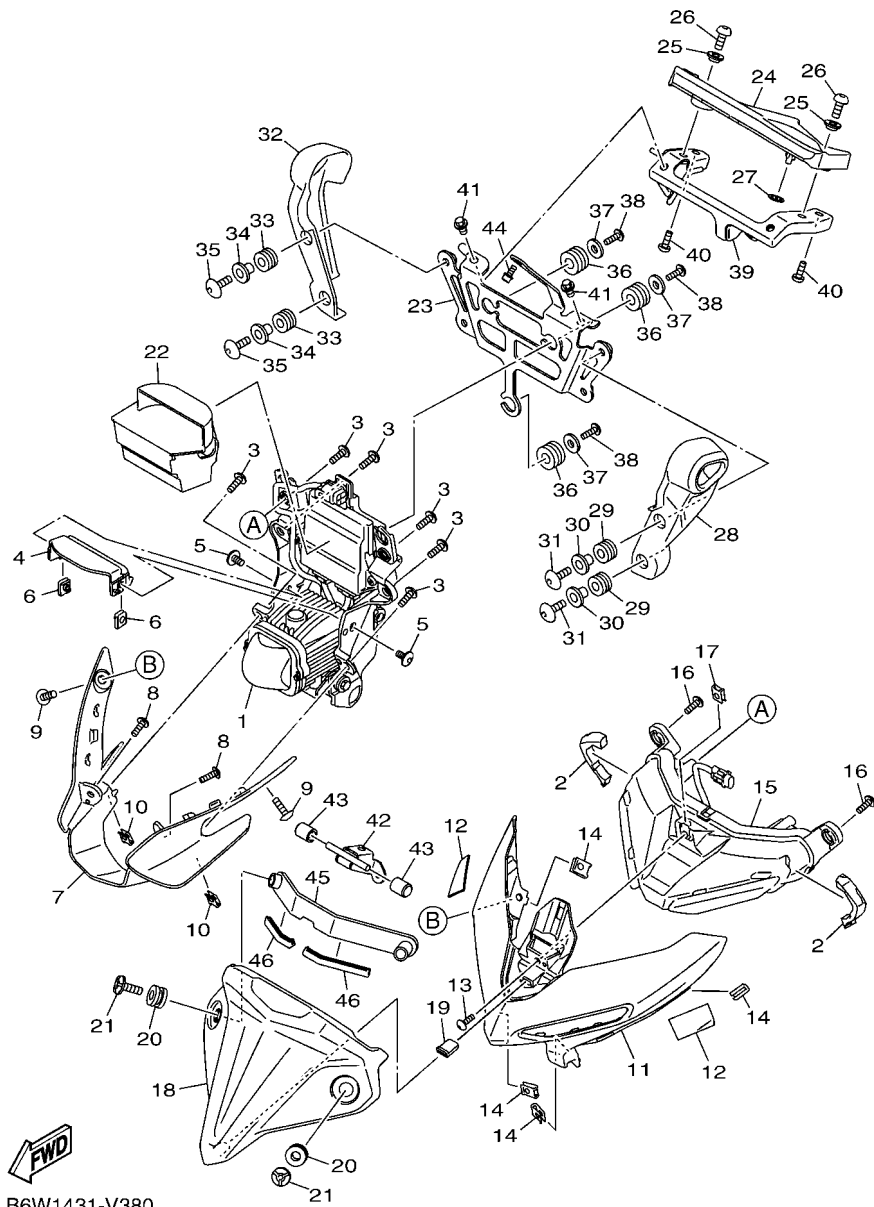
**FWD**  
B9T1460-V360



B9T1460-V370

**FIG. 37 METER**

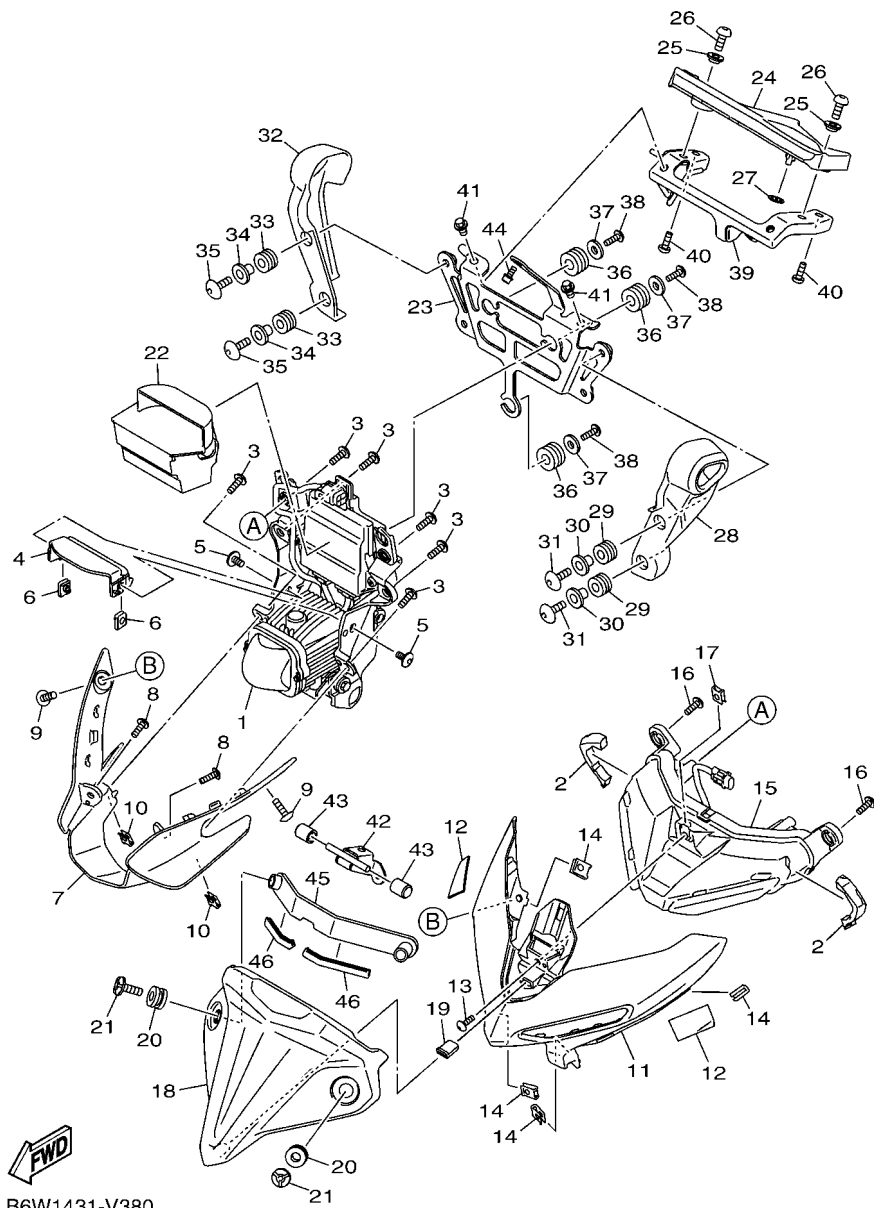
REF. NO.	PART NO.	DESCRIPTION	BDA1			REMARKS
1	B4W-H3500-00	METER ASSY	1			
2	B5P-H3571-00	.CASE, SPEEDOMETER UPPER	1			
3	BS7-H3572-00	.CASE, SPEEDOMETER LOWER	1			
4	97707-30020	.SCREW, TAPPING	9			
5	B9T-H3519-00	BRACKET, METER	1			
6	90480-14229	GROMMET	3			
7	97702-50016	SCREW, TAPPING	3			
8	90201-05827	WASHER, PLATE	3			



B6W1431-V380

FIG. 38 HEADLIGHT

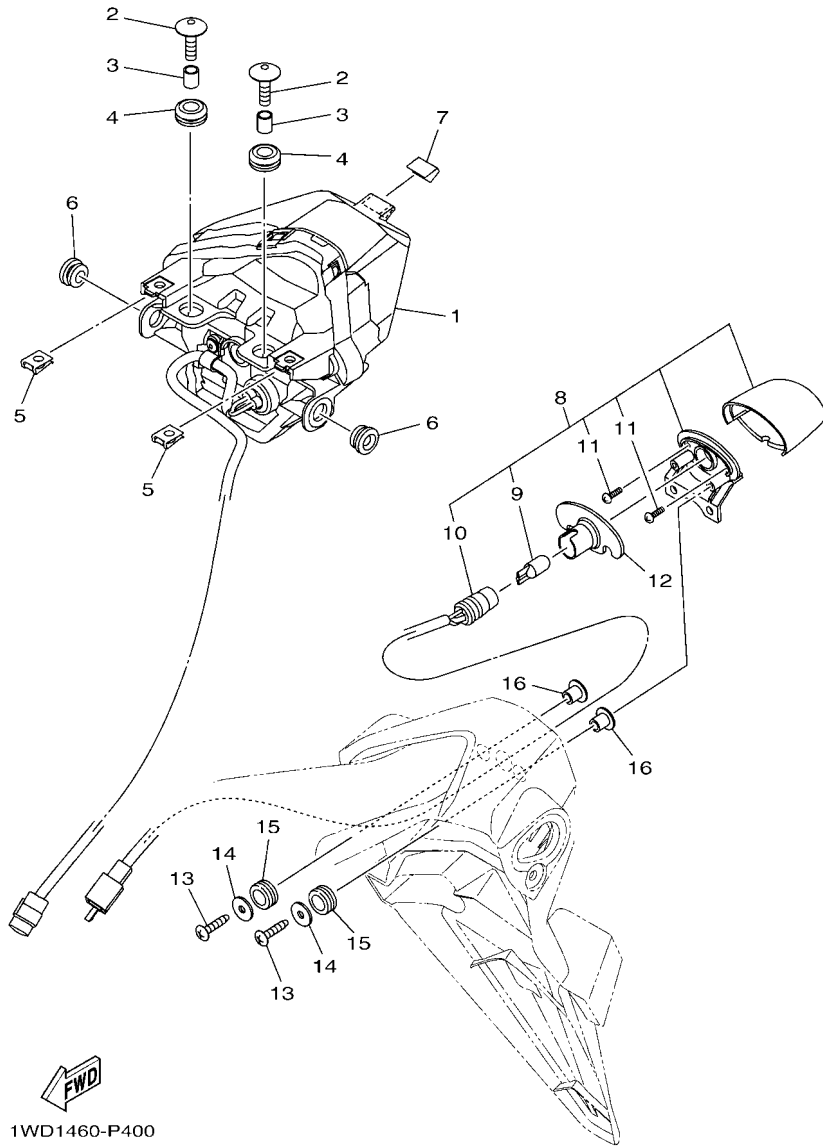
REF. NO.	PART NO.	DESCRIPTION	BDA1		REMARKS
1	B9T-H4300-00	HEADLIGHT ASSY	1		
2	90520-10834	DAMPER, PLATE	2		
3	97707-50016	SCREW, TRUSS HEAD TAPPING	6		
4	B9T-H411E-00	STAY,HEAD LIGHT INNER	1		
5	90111-05003	BOLT,HEX. SOCKET BUTTON	2		
6	90183-05076	NUT, SPRING	2		
7	B9T-H4144-00	COVER, HEADLIGHT	1		
8	97707-50016	SCREW, TRUSS HEAD TAPPING	2		
9	90160-05009	SCREW, ROUND TAPPING	2		
10	90183-05807	NUT, SPRING	2		
11	B9T-F831V-00-P0	STAY, HEAD LIGHT 1	1		MBL2
12	90520-20819	DAMPER, PLATE	2		
13	90160-05009	SCREW, ROUND TAPPING	1		
14	90183-05807	NUT, SPRING	4		
15	B9T-H4410-00	POSITION LIGHT ASSY 1	1		
16	97707-50016	SCREW, TRUSS HEAD TAPPING	2		
17	90183-05807	NUT, SPRING	1		
18	B9T-H4369-00-P0	COVER 1	1		UR FOR DPBMC
	B9T-H4369-00-P1	COVER 1	1		UR FOR MLNM4
19	1PA-F411J-00	DAMPER, SIDE COVER	1		
20	90480-12808	GROMMET	2		
21	90111-06870	BOLT,HEX. SOCKET BUTTON	2		
22	B9T-H4196-00	COVER, SOCKET	1		
23	B9T-F8357-00	STAY 2	1		
24	B9T-F8345-00	MOLE 1	1		
25	90387-06242	COLLAR	2		
26	90111-06029	BOLT,HEX. SOCKET BUTTON	2		



B6W1431-V380

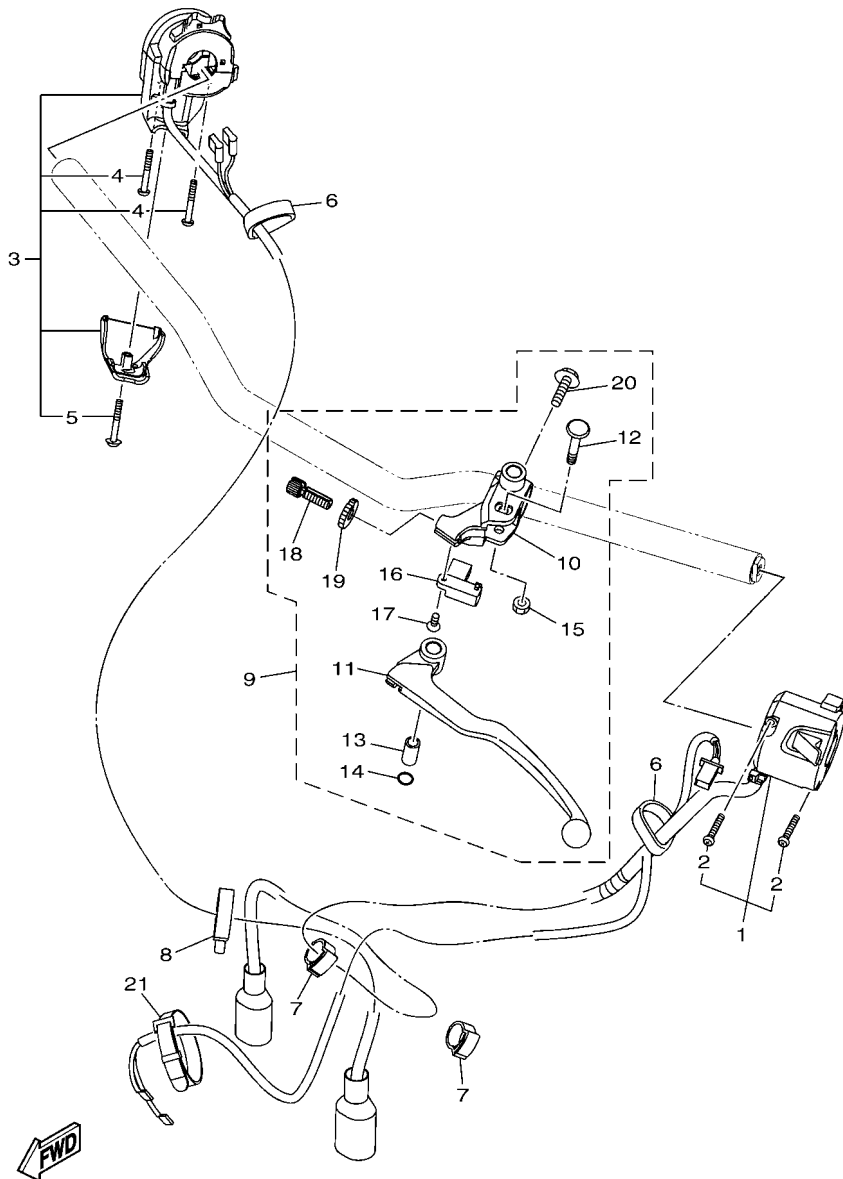
FIG. 38 HEADLIGHT

REF. NO.	PART NO.	DESCRIPTION	BDA1				REMARKS
27	90183-05M02	NUT, SPRING	1				
28	B9T-F83D3-00	COVER, FLASHER 1	1				
29	90480-12808	GROMMET	2				
30	90387-06899	COLLAR	2				
31	90111-06086	BOLT,HEX. SOCKET BUTTON	2				
32	B9T-F83D4-00	COVER, FLASHER 2	1				
33	90480-12808	GROMMET	2				
34	90387-06899	COLLAR	2				
35	90111-06086	BOLT,HEX. SOCKET BUTTON	2				
36	90480-14004	GROMMET	3				
37	90201-05036	WASHER, PLATE	3				
38	97707-50016	SCREW, TRUSS HEAD TAPPING	3				
39	B9T-F8356-00	STAY 1	1				
40	92012-06014	BOLT, BUTTON HEAD	2				
41	95022-06012	BOLT, FLANGE	2				
42	B08-F334G-00	BRACKET 1	1				
43	2SN-H4527-00	DAMPER	2				
44	90110-06865	BOLT, HEXAGON SOCKET HEAD	1				
45	B9T-H454L-00	BRACKET	1				
46	B3M-F4188-00	MOLD, FUEL TANK	2				



**FIG. 39 TAILLIGHT**

REF. NO.	PART NO.	DESCRIPTION	BDA1				REMARKS
1	1WD-H4710-01	TAILLIGHT UNIT ASSY	1				
2	90111-06117	BOLT,HEX. SOCKET BUTTON	2				
3	90387-067V1	COLLAR	2				
4	90480-13001	GROMMET	2				
5	90183-05807	NUT, SPRING	2				
6	90480-10003	GROMMET	2				
7	1WD-F1732-00	SEAL 1	1				
8	BS7-H4740-00	LICENCE LIGHT ASSY	1				
9	1WD-H4744-00	.BULB (12V-5W)	1				
10	1WD-H4547-00	.CORD, LICENCE LIGHT	1				
11	1WD-H4726-00	.SCREW	2				
12	1WD-H4753-00	DAMPER	1				
13	97707-40020	SCREW, TAPPING	2				
14	90201-04804	WASHER, PLATE	2				
15	90480-11009	GROMMET	2				
16	90387-05042	COLLAR	2				

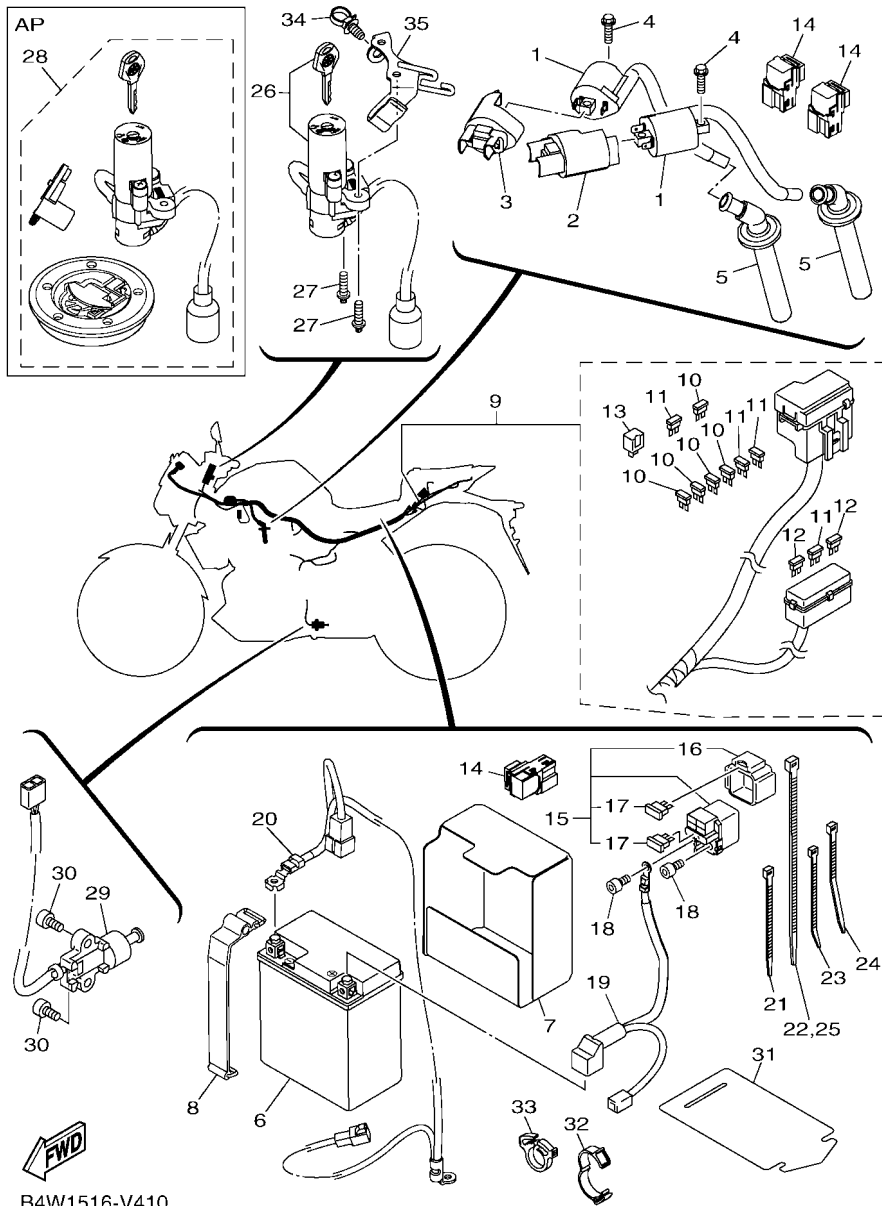


B6W1431-V400

FIG. 40 HANDLE SWITCH & LEVER

REF. NO.	PART NO.	DESCRIPTION	BDA1				REMARKS
1	B9T-H3972-00	SWITCH, HANDLE 4	1				
2	98507-04025	.SCREW, PAN HEAD	2				
3	B9T-H3975-00	SWITCH, HANDLE 2	1				
4	98507-04030	.SCREW, PAN HEAD	2				
5	97607-04230	.SCREW, WITH WASHER	1				
6	3RS-H3936-00	BAND, SWITCH CORD	2				
7	90464-16003	CLAMP	3				
8	90464-30001	CLAMP	1				
9	1WD-H2910-00	LEVER HOLDER ASSY (LEFT)	1				
10	1WD-H2911-00	.HOLDER, LEVER 1	1				
11	1WD-H3912-00	.LEVER 1	1				
12	31A-83945-00	.BOLT, LEVER	1				
13	31A-83913-00	.COLLAR, LEVER 1	1				
14	93210-108H5	.O-RING	1				
15	95602-06100	.NUT, SELF-LOCKING	1				
16	5BP-H2917-00	.SWITCH	1				
17	90151-03005	.SCREW, COUNTERSUNK	1				
18	90123-08083	.BOLT	1				
19	90179-08316	.NUT	1				
20	97507-06525	.BOLT, WITH WASHER	1				
21	3AY-H3936-00	BAND, SWITCH CORD	2				



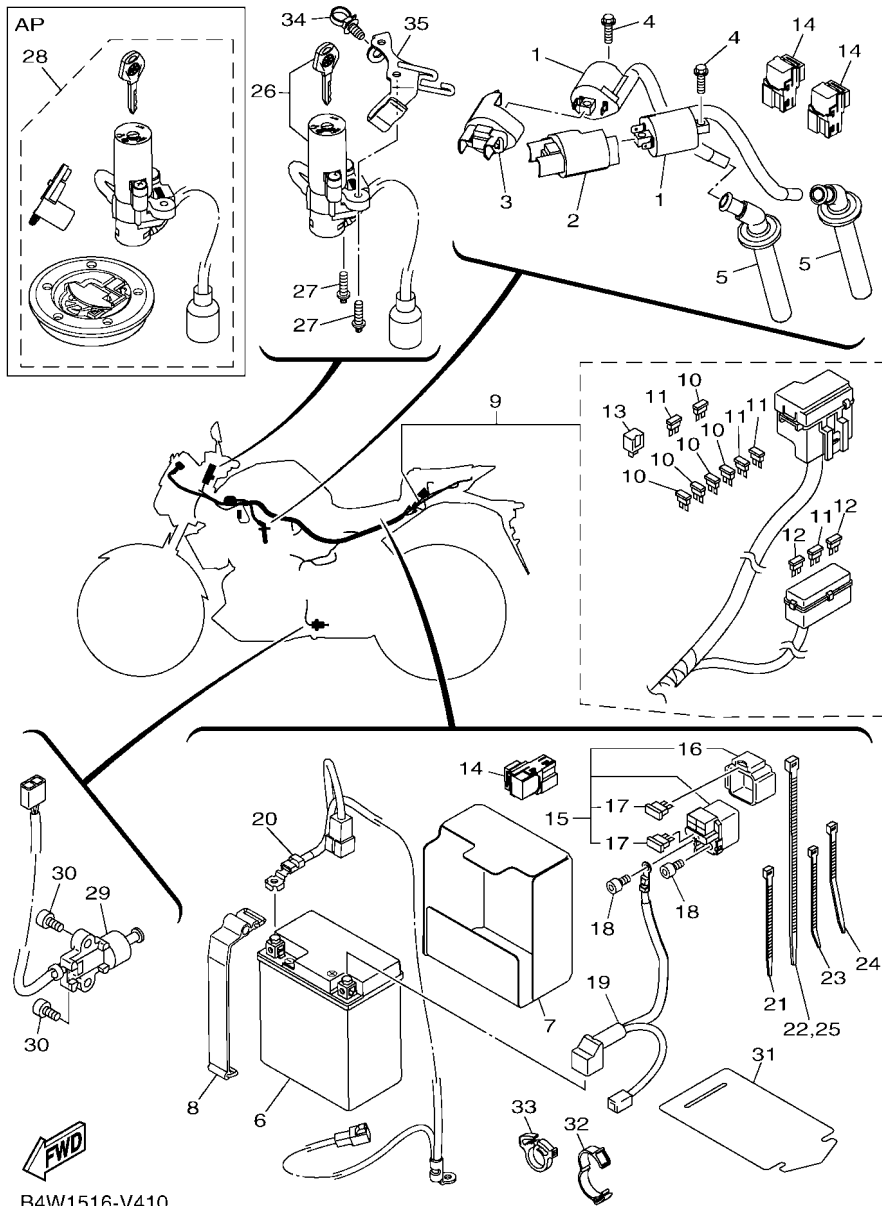


B4W1516-V410

FIG. 41 ELECTRICAL 1

REF. NO.	PART NO.	DESCRIPTION	BDA1				REMARKS
1	1WD-H2310-00	IGNITION COIL ASSY	2				
2	B9T-H2314-00	COVER, IGNITION COIL	1				
3	B9T-H2314-10	COVER, IGNITION COIL	1				
4	95022-06020	BOLT, FLANGE	2				
5	BR5-H2370-00	PLUG CAP ASSY	2				
6	2YD-H2100-00	BATTERY ASSY (GS GTZ8V)	1				
7	1WD-H2121-00	PAD, BATTERY	1				
8	1WD-H2131-00	BAND, BATTERY	1				
9	B6W-H2590-00	WIRE HARNESS ASSY	1				
10	1WD-H2151-20	.FUSE (7.5A BL)	5				
11	1WD-H2151-10	.FUSE (15A-BL)	4				
12	1WD-H2151-30	.FUSE (30A)	2				
13	4B4-H1980-00	.DIODE ASSY	1				
14	1WD-H1950-00	RELAY ASSY	3				
15	1WD-H1940-00	STARTER RELAY ASSY	1				
16	1WD-H2155-00	.BAND	1				
17	1WD-H2151-01	.FUSE (30A)	2				
18	91312-05008	BOLT, HEXAGON SOCKET HEAD	2				
19	2WD-H2115-00	WIRE, PLUS LEAD	1				
20	B6W-H2116-00	WIRE, MINUS LEAD	1				
21	90464-36800	CLAMP	2				
22	90464-70800	CLAMP	7				
23	90464-22800	CLAMP	1				
24	90464-36005	CLAMP	4				
25	90464-70800	CLAMP	1				
26	B9T-H2501-00	MAIN SWITCH STEERING LOCK	1				
27	90109-060G4	BOLT	2				

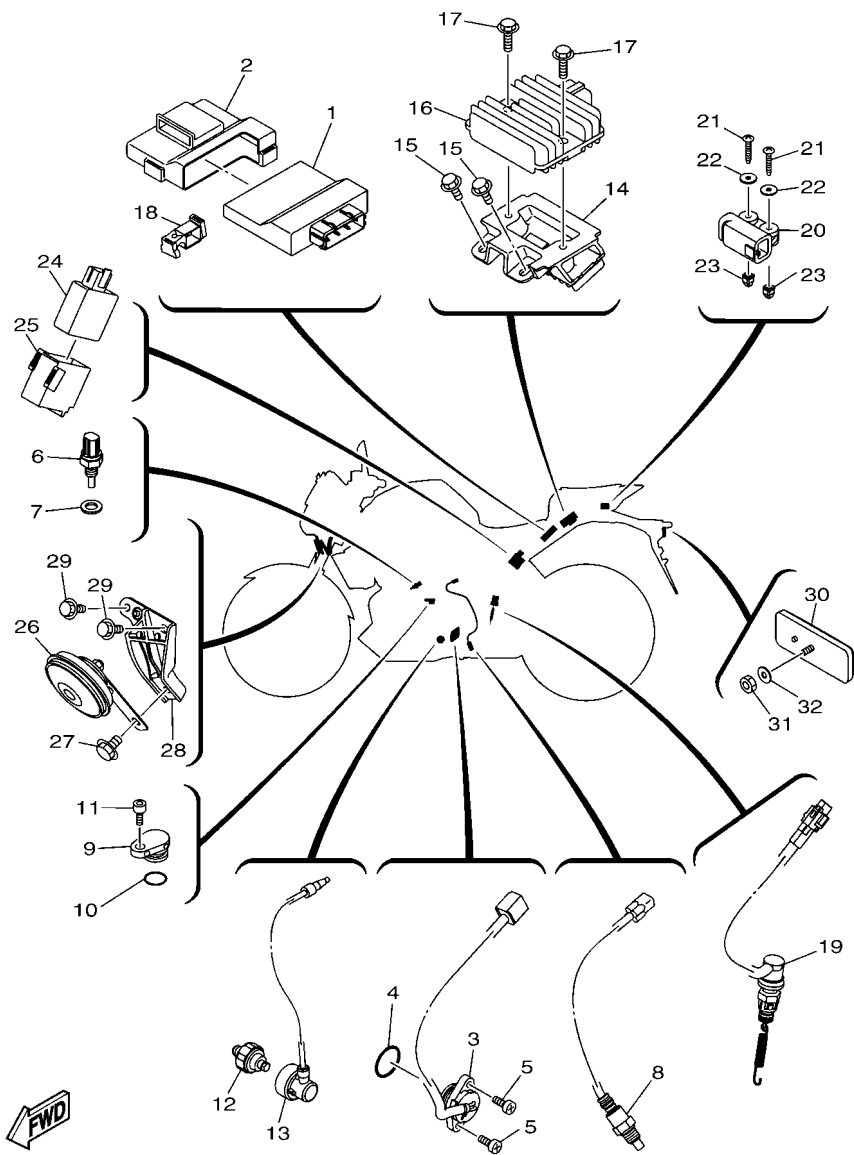
FIG. 41 ELECTRICAL 1



B4W1516-V410

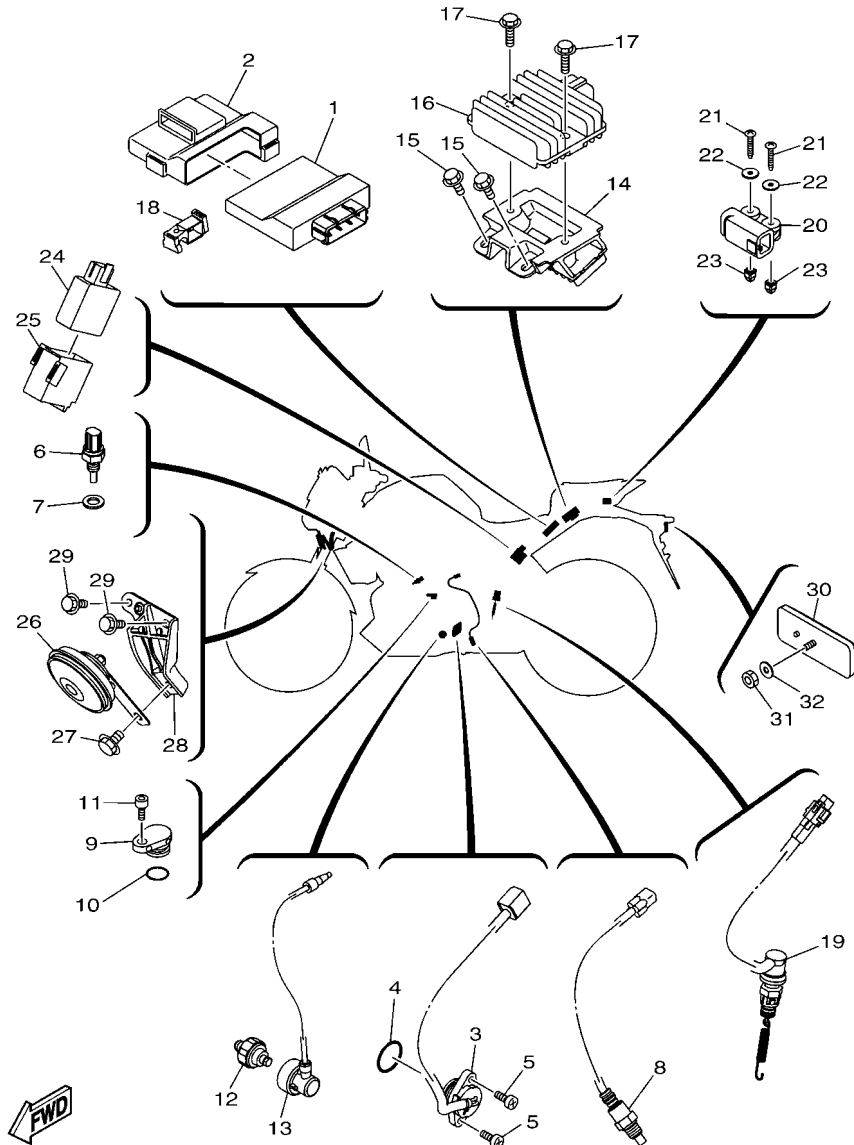
REF. NO.	PART NO.	DESCRIPTION	BDA1	REMARKS
28	B9T-XH250-00	MAIN SW. STRG. LOCK SUB ASSY	1	AP
29	1WD-H2566-00	SWITCH, SIDE STAND	1	
30	90110-05809	BOLT, HEXAGON SOCKET HEAD	2	
31	1WD-H2591-00	BAND	1	
32	90464-26001	CLAMP	1	
33	90464-08009	CLAMP	1	
34	90464-30009	CLAMP	1	
35	B9T-F8358-00	STAY 3	1	

FIG. 42 ELECTRICAL 2



B6W1431-V420

REF. NO.	PART NO.	DESCRIPTION	BDA1				REMARKS
1	BS8-H591A-00	ENGINE CONTROL UNIT ASSY	1				
2	B6W-H5546-00	BAND	1				
3	1WD-H2540-00	NEUTRAL SWITCH ASSY	1				
4	93210-21801	O-RING	1				
5	98502-05016	SCREW,PAN HEAD	2				
6	54P-H3591-00	THERMO UNIT	1				
7	90430-10804	GASKET	1				
8	1WD-H592A-00	SENSOR, OXYGEN	1				
9	2WD-E5189-00	PLUG	1				
10	93210-15566	O-RING	1				
11	91332-06016	BOLT	1				
12	1WS-82504-00	OIL PRESSURE SWITCH ASSY	1				
13	1WD-H1315-01	LEAD WIRE ASSY	1				
14	BR5-H1961-00	COVER	1				
15	95D02-06016	BOLT, FLANGE DEEP RECESS	2				
16	1WD-H1960-00	RECTIFIER & REGULATOR ASSY	1				
17	95D02-06025	BOLT, FLANGE DEEP RECESS	2				
18	BR5-H2592-00	BAND	1				
19	1WD-H2530-10	STOP SWITCH ASSY	1				
20	1WD-H2576-00	SENSOR, LEAN ANGLE	1				
21	90160-04009	SCREW, ROUND TAPPING	2				
22	90201-04028	WASHER, PLATE	2				
23	4B4-84334-00	NUT, ADJUSTING	2				
24	B9T-83400-00	FLASHER CONT. UNIT ASSY	1				
25	B9T-H3836-00	BAND	1				
26	B9T-H3371-00	HORN	1				
27	95D07-08012	BOLT, FLANGE DEEP RECESS	1				

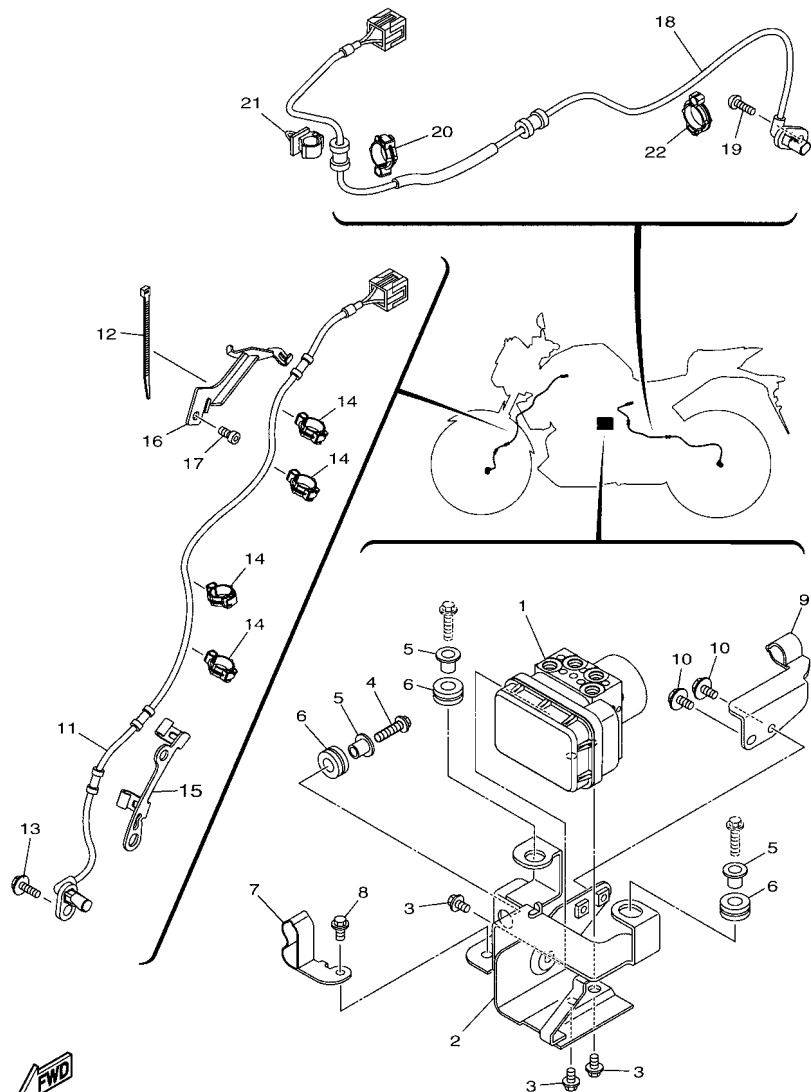


FWD  
B6W1431-V420

FIG. 42 ELECTRICAL 2

REF. NO.	PART NO.	DESCRIPTION	BDAT	REMARKS
28	1WD-H3378-00	STAY, HORN	1	
29	95D07-06016	BOLT, FLANGE DEEP RECESS	2	
30	3C1-H5130-00	REAR REFLECTOR ASSY	1	
31	95602-05100	NUT, U	1	
32	90201-05043	WASHER, PLATE	1	
<hr/>				
<hr/>				
<hr/>				
<hr/>				
<hr/>				
<hr/>				
<hr/>				
<hr/>				
<hr/>				

**FIG. 43 ELECTRICAL 3**



B5W2110-V430

REF. NO.	PART NO.	DESCRIPTION	BDA1				REMARKS
1	2WD-H5930-08	HYDRAULIC UNIT ASSY	1				
2	2WD-F175T-00	BRACKET 1	1				
3	95022-06010	BOLT, FLANGE	3				
4	95022-06025	BOLT, FLANGE	1				
5	90387-06M60	COLLAR	3				
6	90480-14229	GROMMET	3				
7	2WD-F5886-00	HOLDER, BRAKE HOSE	1				
8	95027-06012	BOLT, FLANGE	1				
9	2WD-F5875-00	HOLDER, BRAKE HOSE 1	1				
10	95027-06012	BOLT, FLANGE	2				
11	2WD-85970-00	WHEEL SENSOR ASSY, FRONT	1				
12	90464-22800	CLAMP	1				
13	95027-06016	BOLT, FLANGE	1				
14	90464-12013	CLAMP	4				
15	B5L-F3318-00	WIRE, HOLDER 1	1				
16	B6W-F3319-00	WIRE, HOLDER 2	1				
17	91317-06012	BOLT,HEX.SOCKET HEAD	1				
18	2WD-85980-00	WHEEL SENSOR ASSY, REAR	1				
19	92012-06016	BOLT, BUTTON HEAD	1				
20	90464-14803	CLAMP	1				
21	90464-10800	CLAMP	1				
22	90464-14803	CLAMP	1				

NUMERICAL INDEX

PART NO.	REF. NO.	PART NO.	REF. NO.	PART NO.	REF. NO.	PART NO.	REF. NO.	PART NO.	REF. NO.	PART NO.	REF. NO.
1WD-11411-00	2 - 1	2H7-15361-00	5 - 18	1WD-E111G-00	1 - 15	1WD-E2671-00	6 - 9	5TP-E4747-00	17 - 27	1WD-E7251-00	14 - 22
1WD-11413-00	2 - 23	1WD-16382-00	13 - 19		1 - 24	5YP-E2675-00	6 - 10		32 - 48	1WD-E7261-00	14 - 17
1WD-11413-10	2 - 23	1WD-17424-00	14 - 28	1WD-E1133-10	1 - 2	1WD-E2681-00	5 - 12	1WD-E4758-00	9 - 5	1WD-E7402-00	14 - 13
1WD-11413-20	2 - 23	278-17425-00	14 - 12	BS8-E1181-00	1 - 12	1WD-E319L-00	5 - 10	1WD-E4763-00	9 - 12	1WD-E7411-00	14 - 1
1WD-11413-30	2 - 23		14 - 29	1WD-E1191-00	1 - 16	1WD-E3300-01	7 - 1	1WD-E4840-00	1 - 30	1WD-E7460-00	14 - 31
1WD-11413-40	2 - 23	26P-21568-11	24 - 36	1WD-E1193-00	1 - 18	1WD-E3341-00	7 - 3	1WD-E4881-00	1 - 31	1WD-E8101-00	16 - 4
1WD-11416-00	2 - 10	1WD-22141-00	20 - 2	4YS-E1198-00	7 - 15	1WD-E3342-00	7 - 4	1WD-E4882-01	1 - 33	1WD-E8110-00	16 - 11
1WD-11416-10	2 - 10	3AH-22222-00	22 - 5	1WD-E1311-10	1 - 25	1WD-E3410-00	7 - 9	1WD-E4890-00	1 - 20	1WD-E8111-00	16 - 12
1WD-11416-20	2 - 10	31A-23125-31	22 - 12	1WD-E1351-00	1 - 26	1WD-E3414-00	7 - 16	1WD-E4899-00	1 - 21	1WD-E8112-00	16 - 17
1WD-11416-30	2 - 10		22 - 25	1WD-E1361-00	1 - 8	1WD-E3415-00	7 - 10	1WD-E5148-00	10 - 4	1EG-E8113-01	16 - 13
1WD-11416-40	2 - 10	31A-23149-31	22 - 11	1WD-E1411-00	2 - 1	1WD-E3417-00	7 - 13	1WD-E5150-20	10 - 1	1WD-E8115-00	16 - 14
1WD-11650-00	2 - 2		22 - 24	1WD-E1454-00	2 - 22	1WD-E3440-10	7 - 11	1WD-E5155-00	10 - 13	1WD-E8127-10	16 - 2
5SL-11654-00	2 - 3	3R4-23153-00	22 - 9	1WD-E1496-00	2 - 18	54P-E3474-00	8 - 39	2WD-E5189-00	42 - 9	1WD-E8140-00	16 - 8
1WD-11656-00	2 - 5		22 - 22	1WD-E1531-00	2 - 15	BR5-E3543-00	8 - 41	1WD-E5362-00	5 - 19	1WD-E8175-00	16 - 3
1WD-11656-10	2 - 5	4V4-23188-L0	22 - 18	1WD-E1536-00	2 - 6	1WD-E3556-00	8 - 8	2MS-E5373-01	8 - 44	1WD-E8337-00	16 - 1
1WD-11656-20	2 - 5		22 - 36	1WD-E1549-00	2 - 7	1WD-E3573-00	8 - 14	BS7-E5377-00	11 - 21	1WD-E8511-00	15 - 4
1WD-11656-30	2 - 5	3FV-23462-00	22 - 39	BS8-E1603-00	2 - 12	1WD-E3586-00	8 - 1	1WD-E5411-00	11 - 1	1WD-E8512-00	15 - 5
1WD-12113-00	3 - 4	3C1-24512-00	23 - 23	BS8-E1631-00	2 - 11	BS8-E3750-02	8 - 5	1WD-E5413-10	11 - 16	1WD-E8513-00	15 - 6
1HX-12168-F0	3 - 9	1WD-25181-00	26 - 11	1WD-E1633-00	2 - 13	1WD-E3761-00	8 - 6	1WD-E5418-00	11 - 22	1WD-E8531-00	15 - 7
1HX-12168-H1	3 - 9	1WD-25381-00	28 - 21	1WD-E2111-00	3 - 1	BS7-E3907-01	23 - 19	1WD-E5421-00	5 - 2	1WD-E8536-00	15 - 9
1HX-12168-K1	3 - 9	5MT-25398-00	26 - 7	1WD-E2117-00	3 - 5	3C1-E3915-00	23 - 20	1WD-E5441-00	11 - 14	1WD-E8540-10	15 - 1
1HX-12168-M1	3 - 9		28 - 18	3S0-E2118-00	3 - 6	1WD-E3938-00	8 - 13	1WD-E5451-00	11 - 7	5TP-E8542-00	15 - 2
1HX-12168-R1	3 - 9	5MT-25398-10	26 - 7	1PA-E2119-00	3 - 8	1WD-E3971-02	23 - 27	1WD-E5461-00	11 - 10	1WD-E8562-00	15 - 10
1HX-12168-U1	3 - 9		28 - 18	BS8-E2119-00	3 - 7	54P-E416A-00	8 - 12	1WD-E5462-00	11 - 17	B04-F1110-00-P1	17 - 1
1HX-12168-W1	3 - 9	5MT-25398-20	26 - 7	1WD-E2121-00	3 - 2	1WD-E4243-00	8 - 10	1WD-E5514-00	12 - 1	B5L-F113J-00	18 - 10
1HX-12168-Y1	3 - 9		28 - 18	1WD-E2126-00	3 - 3	BR5-E4411-00	8 - 25	1WD-E5515-10	12 - 3	B5L-F113K-01	18 - 11
1HX-12169-11	3 - 9	1WD-25802-00	27 - 4	1WD-E2153-11	3 - 10	BS8-E4412-00	8 - 29	44D-E5521-00	12 - 2	2MS-F115R-00	23 - 45
1HX-12169-31	3 - 9	1WD-25802-50	29 - 4	BS8-E2170-00	4 - 1	1WD-E4422-00	8 - 33	1WD-E5580-00	12 - 4	1WD-F1171-00	17 - 15
1HX-12169-50	3 - 9	1WD-25803-00	27 - 5	1WD-E2176-00	4 - 3	BR5-E4437-00	8 - 28	1WD-E6111-00	13 - 1	1WD-F117K-00	25 - 12
1HX-12169-70	3 - 9	1WD-25803-50	29 - 5	BS8-E2180-00	4 - 2	52B-E443E-00	8 - 37	1WD-E6150-00	13 - 2	1WD-F122A-00	17 - 21
1HX-12169-90	3 - 9	1WD-25805-00	27 - 12	1WD-E2213-00	4 - 9	40D-E443G-00	28 - 30	1WD-E6154-00	13 - 3	B04-F122B-00	17 - 22
1HX-12169-E0	3 - 9	1WD-25806-00	29 - 15	33S-E2223-00	5 - 8	1WD-E4451-00	8 - 36	1WD-E6181-00	13 - 13	2MS-F134X-00	23 - 46
1HX-12169-G0	3 - 9	5RB-25854-00	31 - 3	1WD-E2241-00	1 - 17	1WD-E4452-00	8 - 30	1WD-E6324-00	13 - 6	1WD-F135F-00	17 - 12
1HX-12169-J0	3 - 9	36Y-2589H-00	31 - 5	1WD-E2251-00	4 - 11	1WD-E4457-00	8 - 31	1WD-E6331-00	13 - 5	B9T-F137K-00	24 - 49
1HX-12169-L0	3 - 9	5KN-25926-01	29 - 17	1WD-E2252-00	4 - 12	1WD-E4462-00	8 - 34	1WD-E6333-10	13 - 8	B9T-F137L-00	24 - 59
1HX-12169-N0	3 - 9	34X-25937-00	29 - 7	1WD-E2256-00	4 - 14	2MS-E4465-00	8 - 21	1WD-E6337-00	13 - 9	B9T-F137U-00	6 - 18
1HX-12169-T0	3 - 9	4SS-27218-00	33 - 3	1WD-E2405-00	6 - 8	2MS-E4466-00	8 - 22	1WD-E6340-00	13 - 15	B9T-F137V-00	6 - 19
1WD-12210-01	4 - 6	3KW-27234-00	33 - 8	1WD-E2413-00	6 - 2	1WD-E4469-00	8 - 26	1WD-E6350-01	13 - 7	1WD-F144G-00	32 - 28
5P0-12411-00	6 - 1	4BP-27261-00	32 - 25	1WD-E2420-00	5 - 1	1WD-E446C-00	8 - 27	1WD-E6356-00	13 - 14	B04-F1533-00	24 - 68
5NL-12564-00	1 - 27	1WS-82504-00	42 - 12	1WD-E2422-00	5 - 14	B04-E449E-00	24 - 64	1WD-E6371-00	13 - 4	5BP-F153E-90	18 - 6
8GL-13571-00	8 - 15	B9T-83400-00	42 - 24	1WD-E2428-00	5 - 15	BS8-E4602-00	9 - 1	1WD-E7121-00	14 - 7	5BP-F153E-A0	18 - 6
5JW-14104-00	8 - 20	31A-83913-00	40 - 13	1WD-E2450-00	5 - 6	1WD-E4613-00	9 - 19	1WD-E7131-00	14 - 5	B9T-F1557-00	6 - 20
8A7-14139-00	8 - 19	31A-83945-00	40 - 12	1WD-E2453-00	5 - 7	1WD-E4628-00	9 - 23	1WD-E7151-00	14 - 2	BR5-F1611-01	18 - 15
5PS-14147-00	8 - 7	4B4-84334-00	42 - 23	33S-E2456-00	5 - 9	BR5-E4710-00	9 - 4	1WD-E7161-00	14 - 6	1WD-F1617-00	18 - 23
895-14169-00	8 - 18	1WS-85801-00	8 - 11	B04-E2461-00	6 - 11	54D-E4714-00	9 - 13	1WD-E7211-00	14 - 23	1WD-F1621-00	18 - 33
1WS-14335-00	8 - 17	2WD-85970-00	43 - 11	B04-E2462-10	6 - 12	1WD-E4715-00	9 - 14	1WD-E7221-00	14 - 14	1WD-F1629-01	18 - 22
8HG-14534-00	8 - 16	2WD-85980-00	43 - 18	1WD-E2577-00	6 - 4	1WD-E4728-00	9 - 8	1WD-E7231-00	14 - 18	1WD-F163A-00	18 - 35
5VY-1482K-00	1 - 19	BS8-E1102-10	1 - 1	1WD-E2578-00	6 - 5	1WD-E473L-00	9 - 2	1WD-E7241-00	14 - 19	BR5-F163E-00	18 - 20

NUMERICAL INDEX

PART NO.	REF. NO.	PART NO.	REF. NO.	PART NO.	REF. NO.	PART NO.	REF. NO.	PART NO.	REF. NO.	PART NO.	REF. NO.
B04-F1642-00	24 - 67	BK6-F3117-00	22 - 32	B04-F4254-10	24 - 5	B04-F582E-00	33 - 21	50C-F7222-00	33 - 4	1WD-H1801-00	35 - 2
1WD-F1652-00	17 - 2	BS7-F3118-00	22 - 33	B04-F4254-80	24 - 5	2WD-F582J-00	33 - 25	BS8-F7261-00	16 - 18	1WD-H1828-00	35 - 4
B17-F1668-00	20 - 17	B9T-F3120-10	22 - 3	1WD-F4312-00	23 - 28	1WD-F582W-00	29 - 1	1WD-F7311-00	32 - 1	4FP-H182L-00	35 - 6
1WD-F1669-00	18 - 16	B9T-F3126-00	22 - 14	B9T-F4314-00	23 - 29	5TL-F5838-00	29 - 18	B04-F7321-00	32 - 2	1WD-H183G-00	35 - 5
1WD-F1688-00	18 - 28		22 - 27	2MS-F4314-01	23 - 33	1WD-F5852-00	31 - 4	1WD-F7430-01	32 - 32	1WD-H1861-00	35 - 3
1WD-F1689-00	18 - 29	B9T-F3141-00	22 - 6	2MS-F4315-00	23 - 41	1WD-F5852-50	33 - 12	1WD-F7431-01	32 - 33	1WD-H1940-00	41 - 15
1WD-F16A2-00	18 - 19		22 - 31	2MS-F4316-00	23 - 49	2VN-F5854-00	33 - 10	1WD-F7435-00	32 - 11	1WD-H1950-00	41 - 14
B9T-F1716-00	19 - 45	B48-F3144-00	22 - 8	1WD-F4376-00	23 - 31	3C1-F5855-00	31 - 7		32 - 20	1WD-H1960-00	42 - 16
B9T-F171E-00-P0	19 - 41		22 - 21	3C1-F4486-00	23 - 25	50C-F5855-00	33 - 11	1WD-F7437-00	32 - 36	BR5-H1961-00	42 - 14
B9T-F171E-00-P1	19 - 41	BK6-F3145-00	22 - 10	BS7-F4491-00	23 - 24	50C-F5866-00	33 - 6		32 - 44	4B4-H1980-00	41 - 13
1WD-F171L-00	19 - 19		22 - 23	3C1-F4519-00	23 - 22	3RW-F5867-00	31 - 6	1WD-F7440-01	32 - 40	2YD-H2100-00	41 - 6
1WD-F171M-00	19 - 22	2BU-F3158-00	22 - 29	1WD-F4710-02	25 - 1	1WD-F5870-00	31 - 1	1WD-F7441-01	32 - 41	2WD-H2115-00	41 - 19
1WD-F171N-00	19 - 25	B9T-F3170-00	22 - 28	1WD-F4711-01	25 - 2	B6W-F5872-00	31 - 17	1WD-F7442-01	32 - 9	B6W-H2116-00	41 - 20
B9T-F171X-00-P0	19 - 43	BK6-F3171-00	22 - 13	3C1-F4741-00	25 - 6	2WD-F5873-00	31 - 24	1WD-F7443-01	32 - 18	1WD-H2121-00	41 - 7
B9T-F171X-00-P1	19 - 43		22 - 26	5BP-F4741-00	25 - 3	B5L-F5874-00	31 - 27	1WD-F7445-00	32 - 15	5D9-H2126-00	23 - 3
B9T-F1726-00	19 - 48	31B-F3181-00	22 - 30	1WD-F4750-01	25 - 5	2WD-F5875-00	43 - 9	1WD-F7446-00	32 - 31	1WD-H2131-00	41 - 8
BS7-F172W-00	19 - 34	BK6-F319U-00	22 - 7	1WD-F4780-00	25 - 7	B5L-F587A-00	31 - 35	1WD-F7451-00	32 - 10	5TL-H2131-00	25 - 16
1WD-F1731-00-P4	19 - 39	BK6-F330G-00	22 - 4	1WD-F478E-00	25 - 10	2WD-F5886-00	43 - 7	1WD-F7461-00	32 - 19	1WD-H2151-01	41 - 17
1WD-F1732-00	39 - 7	B5L-F3318-00	43 - 15	1WD-F4792-00	25 - 8	2WD-F5887-00	33 - 28	B9T-F8100-00	25 - 15	1WD-H2151-10	41 - 11
B9T-F173E-01	19 - 2	B6W-F3319-00	43 - 16	2MS-F483H-00	23 - 44	B6W-F5887-00	31 - 34	31B-F8307-00	19 - 7	1WD-H2151-20	41 - 10
B9T-F173E-11	19 - 2	BK6-F332K-00	22 - 15	1WD-F510C-01	26 - 2	2WD-F588F-00	31 - 15		19 - 16	1WD-H2151-30	41 - 12
B9T-F173F-01	19 - 11	BS7-F3340-00	22 - 38	2WD-F5168-03-P0	26 - 1	2WD-F588G-00	31 - 30	B9T-F831V-00-P0	38 - 11	1WD-H2155-00	41 - 16
B9T-F173F-11	19 - 11	B08-F334G-00	38 - 42	2WD-F5168-03-P1	26 - 1	50C-F5894-10	33 - 9	B04-F833E-00	19 - 63	1WD-H2310-00	41 - 2
2WD-F175T-00	43 - 2	BS7-F334M-00	22 - 37	2DP-F517G-00	26 - 8	1WD-F5895-50	33 - 13	B04-F833F-00	19 - 52	B9T-H2314-00	41 - 1
B9T-F175T-00	6 - 21	BK6-F3357-00	22 - 34		28 - 19	50C-F589A-00	33 - 15	B04-F833G-00	19 - 53	B9T-H2314-10	41 - 3
B9T-F175U-00	6 - 22	BK6-F3393-00	22 - 16	2WD-F5338-03-P0	28 - 1	1WD-F5914-50	29 - 16	B9T-F8345-00	38 - 24	BR5-H2370-00	41 - 5
45P-F1778-00	6 - 29	5BP-F3416-10	21 - 2	2WD-F5338-03-P1	28 - 1	5YP-F5917-00	27 - 8	B9T-F8356-00	38 - 39	B9T-H2501-00	41 - 26
1WD-F1816-01	19 - 31	5BP-F3418-00	21 - 5	1WD-F5364-00	28 - 5		29 - 6	B9T-F8357-00	38 - 23	1WD-H2530-10	42 - 19
1WD-F1817-00	19 - 32	B9T-F3435-00	21 - 6	1WD-F5366-00-P1	28 - 6	1WD-F5919-00	27 - 10	B9T-F8358-00	41 - 35	1WD-H2540-00	42 - 3
3C1-F1828-00	19 - 30	B04-F3441-00-P2	21 - 10	1WD-F5366-00-P3	28 - 6	1WD-F5919-50	29 - 9	1PA-F836B-00	19 - 64	1WD-H2566-00	41 - 29
1WD-F1871-01	19 - 27	B9T-F3442-00	21 - 13	1WD-F5377-00	28 - 9	2WD-F5921-50	29 - 12	B9T-F836K-00	24 - 45	1WD-H2576-00	42 - 20
1WD-F1875-00	19 - 29	BS7-F4110-00	23 - 1	1WD-F537W-00	28 - 11	5YP-F5924-00	27 - 11	B9T-F836L-00	24 - 55	B6W-H2590-00	41 - 9
1WD-F191B-00	17 - 6	1PA-F411J-00	38 - 19	1WD-F537X-00	28 - 12	1WD-F5924-50	29 - 10	B9T-F837N-00	24 - 53	1WD-H2591-00	41 - 31
1WD-F193A-00	17 - 3	B9T-F4129-00-P0	24 - 8	1WD-F5383-00	28 - 23	5YP-F5925-01	27 - 9	B9T-F837R-00	24 - 63	BR5-H2592-00	42 - 18
1WD-F2110-00	20 - 1	B9T-F4129-00-P1	24 - 8	1PA-F5386-00	26 - 10		29 - 11	B6W-F8385-00-P0	19 - 51	1WD-H2910-00	40 - 9
1WD-F2129-00	20 - 3	B9T-F412Y-00	23 - 5	1WD-F5386-00	28 - 22	5YP-F5937-00	27 - 7	B9T-F838N-00	24 - 19	1WD-H2911-00	40 - 10
1WD-F2151-00	20 - 7	B9T-F4139-00-P0	24 - 24	1WD-F5388-00	28 - 26	1WD-F5939-51	29 - 13	B9T-F838R-00	24 - 39	5BP-H2917-00	40 - 16
1WD-F2174-00	28 - 27	B9T-F4139-00-P1	24 - 24	1WD-F539F-00	28 - 13	1WD-F5939-61	29 - 14	B9T-F8391-01	24 - 51	B9T-H3310-00	36 - 1
1WD-F2184-00	20 - 4	1WD-F413B-00	24 - 52	1WD-F5443-00	28 - 10	B9T-F6111-00	30 - 1	B9T-F8391-11	24 - 51	B9T-H3320-00	36 - 2
BS7-F2210-20	20 - 14		24 - 62	1WD-F5807-00	31 - 2	2DP-F6240-00	30 - 3	B9T-F8392-01	24 - 61	B9T-H3330-00	36 - 3
1WD-F2311-01	20 - 11	5D9-F414G-00	17 - 4	1WD-F5808-00	33 - 2	2DP-F6241-00	30 - 2	B9T-F8392-11	24 - 61	B9T-H3340-00	36 - 4
1WD-F248B-00	20 - 9	B04-F414G-00	17 - 14	1WD-F580E-00	33 - 1	1WD-F6246-00	30 - 4	B9T-F83D3-00	38 - 28	B9T-H3371-00	42 - 26
B9T-F3100-10	22 - 1	2MS-F4170-00	23 - 43	1WD-F580U-01	27 - 3	B9T-F6280-00	30 - 11	B9T-F83D4-00	38 - 32	1WD-H3378-00	42 - 28
B9T-F3102-00	22 - 19	1DW-F4180-02	23 - 35	2WD-F580W-00	29 - 3	B9T-F6290-00	30 - 12	B08-F842M-00	19 - 61	B4W-H3500-00	37 - 1
B9T-F3103-10	22 - 2	B3M-F4188-00	38 - 46	B6W-F581J-00	31 - 21	B6W-F6301-00	30 - 7	1WD-H1315-01	42 - 13	B9T-H3519-00	37 - 5
BS7-F3110-00	22 - 20	BS7-F4188-00	23 - 2	2WD-F581K-00	33 - 22	B9T-F6315-00	30 - 9	BS7-H1410-00	34 - 2	B5P-H3571-00	37 - 2
BS7-F3111-00	22 - 17	BS7-F4191-01	23 - 10	1WD-F581U-01	27 - 1	B9T-F6335-00	30 - 6	BR5-H1450-00	34 - 1	BS7-H3572-00	37 - 3
	22 - 35	2MS-F419F-00	23 - 38	50C-F582A-50	33 - 5	1WD-F7211-00	32 - 24	1WD-H1800-00	35 - 1	54P-H3591-00	42 - 6

NUMERICAL INDEX

PART NO.	REF. NO.	PART NO.	REF. NO.	PART NO.	REF. NO.	PART NO.	REF. NO.	PART NO.	REF. NO.	PART NO.	REF. NO.
B9T-H3836-00	42 - 25	B9T-XH250-00	41 - 28	90111-06117	19 - 54	90183-050A7	19 - 13	90201-127E1	16 - 7	90387-067V1	39 - 3
1WD-H3912-00	40 - 11	90105-06027	1 - 3		39 - 2	90183-05807	19 - 3	90201-16812	2 - 19	90387-06857	19 - 28
1WD-H3922-00	31 - 8	90105-07800	4 - 4	90111-06119	20 - 13		19 - 12	90201-17809	28 - 25	90387-06899	18 - 3
3AY-H3936-00	40 - 21	90105-088F7	10 - 6	90111-06121	33 - 20		19 - 42	90201-20023	14 - 32		18 - 5
3RS-H3936-00	40 - 6	90105-088F8	2 - 16	90111-06137	18 - 7		19 - 44	90201-20276	14 - 25		19 - 6
B9T-H3972-00	40 - 1	90105-088G0	10 - 7	90111-06151	6 - 24		19 - 62	90201-22013	13 - 12		19 - 15
B9T-H3975-00	40 - 3	90105-088G7	9 - 21	90111-06152	9 - 26		24 - 4	90202-05180	24 - 38		19 - 55
2DP-H3980-00	31 - 11	90105-106A7	32 - 5	90111-06802	9 - 6		24 - 9	90202-26142	21 - 4		24 - 3
B9T-H411E-00	38 - 4	90105-10883	2 - 8	90111-06847	9 - 11		24 - 22	90206-14001	16 - 19		24 - 11
B9T-H4144-00	38 - 7		34 - 4		18 - 8		24 - 25	90209-25011	14 - 15		24 - 27
B9T-H4196-00	38 - 22	90105-10889	17 - 9	90111-06870	38 - 21		24 - 42	90214-22008	14 - 3		38 - 30
B9T-H4300-00	38 - 1	90105-10891	17 - 10	90111-08087	27 - 2		24 - 46		14 - 20		38 - 34
B9T-H4369-00-P0	38 - 18	90105-12093	20 - 15		29 - 2		24 - 56	90215-18800	13 - 10	90387-068L9	18 - 31
B9T-H4369-00-P1	38 - 18	90105-12309	20 - 8	90116-10065	28 - 14		38 - 10	90240-08124	33 - 16	90387-068M3	23 - 7
B9T-H4410-00	38 - 15	90105-14102	21 - 8	90119-05020	24 - 18		38 - 14	90240-08145	32 - 13	90387-068N4	9 - 16
2SN-H4527-00	38 - 43	90109-05003	18 - 34		24 - 34		38 - 17		32 - 22	90387-068S8	23 - 12
1WD-H4547-00	39 - 10	90109-060G4	41 - 27	90119-06810	19 - 9		39 - 5		32 - 37	90387-06M60	43 - 5
B9T-H454L-00	38 - 45	90109-063F1	18 - 17		19 - 18	90183-05M02	24 - 47		32 - 45	90387-07819	17 - 17
1WD-H4710-01	39 - 1	90109-06577	31 - 10	90119-06M17	24 - 6		24 - 57	90269-05008	23 - 37	90387-087L0	9 - 25
1WD-H4726-00	39 - 11	90109-06898	1 - 14	90123-08083	40 - 18		38 - 27	90269-06816	6 - 26	90387-08813	17 - 26
BS7-H4740-00	39 - 8	90109-06899	1 - 23	90149-05029	26 - 9	90183-06011	9 - 18		18 - 21		32 - 49
1WD-H4744-00	39 - 9	90109-068B2	24 - 7		28 - 20	90183-06818	9 - 7		18 - 36	90387-09801	19 - 57
1WD-H4753-00	39 - 12	90109-085G6	32 - 17	90149-10044	27 - 13		17 - 19		19 - 8	90387-10010	32 - 6
2FC-H5111-00	18 - 12		32 - 30	90151-03005	40 - 17	90201-04028	42 - 22		19 - 17	90387-10107	24 - 15
3C1-H5130-00	42 - 30	90110-05806	23 - 16	90159-06054	25 - 13	90201-04804	39 - 14		19 - 21		24 - 31
B6W-H5546-00	42 - 2	90110-05809	41 - 30	90160-04009	42 - 21	90201-05036	38 - 37		19 - 24	90387-17810	28 - 2
BS7-H5752-00	23 - 21	90110-06087	24 - 12		24 - 20	90201-05043	42 - 32		23 - 48	90387-20814	14 - 24
BS8-H591A-00	42 - 1		24 - 28		24 - 23	90201-05827	37 - 8		24 - 21	90388-10816	17 - 5
1WD-H592A-00	42 - 8	90110-06161	4 - 13		24 - 40	90201-06072	6 - 15		24 - 41		21 - 7
2WD-H5930-08	43 - 1		4 - 15		24 - 43	90201-06088	9 - 17	90269-07012	6 - 25	90401-10812	31 - 18
4C9-W0048-00	27 - 6		12 - 5		38 - 9	90201-06380	19 - 36	90269-07076	24 - 65		31 - 22
5YP-W0048-50	29 - 8	90110-06182	15 - 11		38 - 13	90201-08083	33 - 17	90269-09001	24 - 66		31 - 25
BS7-WF461-00	23 - 15	90110-06865	38 - 44	90160-05012	6 - 27	90201-08612	9 - 22	90280-05013	34 - 6		31 - 28
1WD-WF479-00	25 - 11	90110-06870	1 - 10	90160-05810	19 - 40	90201-10021	16 - 20	90282-04036	2 - 17		33 - 23
B9T-XF137-01-P0	24 - 44	90110-06882	10 - 11	90170-06023	16 - 15		32 - 26	90338-06018	6 - 28		33 - 26
B9T-XF137-01-P1	24 - 44	90110-08071	32 - 39	90170-18221	13 - 11	90201-10074	21 - 15	90338-06810	21 - 12	90401-20011	7 - 12
B9T-XF13A-01-P0	24 - 54		32 - 47	90176-06065	31 - 33	90201-10118	31 - 19	90338-16262	10 - 2	90413-06031	8 - 23
B9T-XF13A-01-P1	24 - 54	90111-05003	19 - 35	90179-07652	2 - 4		31 - 23	90338-23801	17 - 13	90430-06014	4 - 8
BS7-XF151-00-P3	18 - 1		19 - 46	90179-08316	40 - 19		31 - 26	90340-12808	7 - 14		5 - 16
BS7-XF151-00-P5	18 - 1		19 - 49	90179-10805	17 - 11		31 - 29	90340-18002	1 - 4		10 - 12
1WD-XF171-21-P6	19 - 1		38 - 5	90179-20013	14 - 33		33 - 24	90340-32819	11 - 5	90430-08119	1 - 6
1WD-XF171-31-P6	19 - 1	90111-05018	18 - 27	90179-25615	21 - 3		33 - 27	90387-05042	39 - 16	90430-08143	11 - 4
1WD-XF172-21-P6	19 - 10	90111-05021	18 - 24	90183-05076	18 - 18	90201-10119	7 - 6	90387-06130	6 - 23	90430-10804	42 - 7
1WD-XF172-31-P6	19 - 10	90111-05056	24 - 37		24 - 16	90201-10843	13 - 16	90387-06242	20 - 12	90445-217G3	32 - 8
B9T-XF17D-A1-P0	24 - 35	90111-06013	32 - 16		24 - 32	90201-10845	1 - 9		38 - 25	90450-28001	6 - 7
B9T-XF17D-A1-P1	24 - 35	90111-06029	38 - 26		38 - 6	90201-10848	2 - 9	90387-06273	9 - 10	90450-55804	8 - 4
B9T-XF41D-00-P0	24 - 1	90111-06086	38 - 31	90183-050A7	18 - 25		34 - 5	90387-064W3	6 - 16	90462-08225	11 - 24
B9T-XF41D-10-P0	24 - 1		38 - 35		19 - 4	90201-10854	17 - 8	90387-066J9	18 - 30	90462-08806	11 - 20



NUMERICAL INDEX

PART NO.	REF. NO.	PART NO.	REF. NO.	PART NO.	REF. NO.	PART NO.	REF. NO.	PART NO.	REF. NO.	PART NO.	REF. NO.
90462-08810	7 - 18	90480-12581	9 - 9	91317-06020	30 - 5	93315-21570	5 - 4	95027-06016	23 - 47	97702-50016	19 - 47
90462-08819	11 - 19		9 - 24	91317-08025	21 - 11	93317-11096	5 - 3		43 - 13		19 - 50
90464-08009	41 - 33	90480-12808	18 - 2	91317-08030	21 - 9	93317-11295	16 - 9	95027-06025	31 - 13		24 - 10
90464-10008	23 - 36		18 - 4	91317-10020	17 - 23	93320-32403	20 - 5	95027-08012	23 - 40		24 - 26
90464-10800	43 - 21		19 - 5	91317-10040	22 - 41	93399-99932	22 - 40	95027-08035	9 - 15		25 - 14
90464-12013	43 - 14		19 - 14	91317-10045	17 - 24	93399-999Y3	21 - 1	95027-06000	16 - 16		37 - 7
90464-12015	17 - 20		19 - 56	91317-10060	17 - 7	93440-24200	14 - 4	95302-06600	28 - 29	97702-50025	8 - 32
90464-14803	43 - 20		24 - 2	91332-06016	8 - 3		14 - 21	95602-05100	42 - 31	97707-30020	37 - 4
	43 - 22		24 - 13		42 - 11	93440-28184	14 - 16	95602-06100	31 - 9	97707-30505	6 - 13
90464-15014	23 - 39		24 - 29	91332-06020	1 - 22	93440-52009	14 - 9		40 - 15	97707-40020	39 - 13
90464-16003	40 - 7		38 - 20		4 - 10	93450-16068	2 - 14	95602-06200	18 - 32	97707-50016	18 - 26
90464-16006	18 - 14		38 - 29	91332-06030	7 - 8	93501-04830	32 - 35	95602-10200	28 - 15		19 - 20
	23 - 52		38 - 33	91401-20012	33 - 18		32 - 43		32 - 7		19 - 23
90464-16012	23 - 32	90480-13001	39 - 4	91401-25015	32 - 14	93605-10090	2 - 21	95602-12100	20 - 10		19 - 26
90464-22800	41 - 23	90480-13398	17 - 16		32 - 23	93900-00828	26 - 6		20 - 16		24 - 48
	43 - 12	90480-14004	38 - 36		32 - 38		28 - 17	95602-14200	20 - 6		24 - 58
90464-26001	41 - 32	90480-14229	37 - 6		32 - 46	94111-17801	26 - 5		26 - 12		38 - 3
90464-30001	40 - 8		43 - 6	92012-06014	38 - 40	94114-17802	28 - 16	95602-16200	28 - 24		38 - 8
90464-30009	33 - 30	90480-15807	23 - 11	92012-06016	43 - 19	94568-H3112	28 - 31	95607-08200	9 - 27		38 - 16
	41 - 34	90480-15808	6 - 17	92012-08030	33 - 19	94568-K0118	4 - 5	95607-10100	21 - 14		38 - 38
90464-36005	41 - 24	90480-17007	24 - 14	92014-08012	11 - 3	94700-00436	1 - 11	95612-08625	1 - 7	98502-05016	42 - 5
90464-36800	41 - 21		24 - 30	92902-08600	13 - 20	95022-06008	4 - 7	95702-05500	18 - 13	98502-06012	8 - 9
90464-70800	41 - 22	90480-18418	19 - 58		28 - 28	95022-06010	43 - 3	95702-06500	18 - 9	98507-04025	40 - 2
	41 - 25	90480-18813	23 - 6	92907-10600	17 - 25	95022-06012	19 - 59	95707-06500	25 - 9	98507-04030	40 - 4
90467-08003	19 - 33	90501-06022	15 - 3	93101-20802	14 - 11		25 - 4	95707-08500	9 - 20	98902-05020	8 - 35
90467-09006	23 - 34	90501-080A2	15 - 8		14 - 27		38 - 41	95802-06010	30 - 10	99002-07600	13 - 21
	23 - 42	90501-12743	32 - 34	93102-12891	16 - 10	95022-06014	17 - 18		32 - 29	99009-08400	5 - 11
	23 - 51		32 - 42	93102-15801	5 - 5	95022-06020	6 - 3	95807-06014	19 - 37	99009-10400	7 - 5
90467-090A2	8 - 24	90501-22800	2 - 20	93102-35808	14 - 30		31 - 16	95812-06035	10 - 8		13 - 17
90467-11009	23 - 50	90506-23812	32 - 4	93106-23002	28 - 4		31 - 20	95812-06045	10 - 9	99009-12400	16 - 6
90467-110A3	8 - 38	90506-26807	32 - 27	93106-26815	26 - 3		41 - 4	95812-06065	10 - 10	99009-15500	7 - 2
90467-12052	8 - 43	90508-18136	13 - 18	93106-38046	28 - 8	95022-06025	5 - 17	95817-06012	23 - 9	99530-08012	7 - 7
90467-12085	33 - 14	90508-183B9	32 - 12	93210-068F7	10 - 14		7 - 17	95817-10025	32 - 3		11 - 8
90467-13802	8 - 42		32 - 21	93210-108H5	40 - 14		11 - 9	95827-06025	6 - 14		11 - 11
	8 - 45	90508-29806	16 - 5	93210-12803	10 - 3		11 - 12	95D02-06012	31 - 14	99530-10014	10 - 5
90467-15012	23 - 30	90520-02843	23 - 4	93210-15566	42 - 10		11 - 18	95D02-06016	42 - 15	99530-14016	1 - 13
90467-16800	1 - 35	90520-10834	38 - 2	93210-15620	33 - 7		11 - 23	95D02-06025	42 - 17		1 - 29
90467-16801	1 - 32	90520-20819	38 - 12	93210-16716	1 - 28		24 - 69	95D07-06016	42 - 29		
	1 - 34	90560-06244	19 - 38	93210-21801	42 - 4		35 - 7	95D07-08012	42 - 27		
90467-250A1	6 - 6	91312-05008	41 - 18	93210-27807	5 - 20		43 - 4	95D32-06010	8 - 40		
90480-01558	17 - 28	91312-05010	23 - 17	93210-32816	11 - 6	95022-06050	11 - 13	95D37-06014	33 - 29		
90480-01559	24 - 17		23 - 26	93210-39802	8 - 2	95022-08012	1 - 5	97012-06020	16 - 21		
	24 - 33		30 - 8	93306-20314	28 - 3	95022-08014	23 - 14	97022-06030	23 - 8		
	24 - 50	91312-05012	11 - 2	93306-255Y9	14 - 8	95027-06010	9 - 3		23 - 13		
	24 - 60	91312-06010	5 - 13	93306-302X4	26 - 4	95027-06012	31 - 31	97507-06525	40 - 20		
90480-01806	23 - 18	91312-06025	11 - 15	93306-30450	28 - 7		31 - 32	97602-04212	31 - 12		
90480-10003	39 - 6	91312-06030	34 - 3	93311-420Y3	14 - 10		43 - 8	97607-04230	40 - 5		
90480-11009	39 - 15	91317-06012	43 - 17		14 - 26		43 - 10	97702-50012	19 - 60		